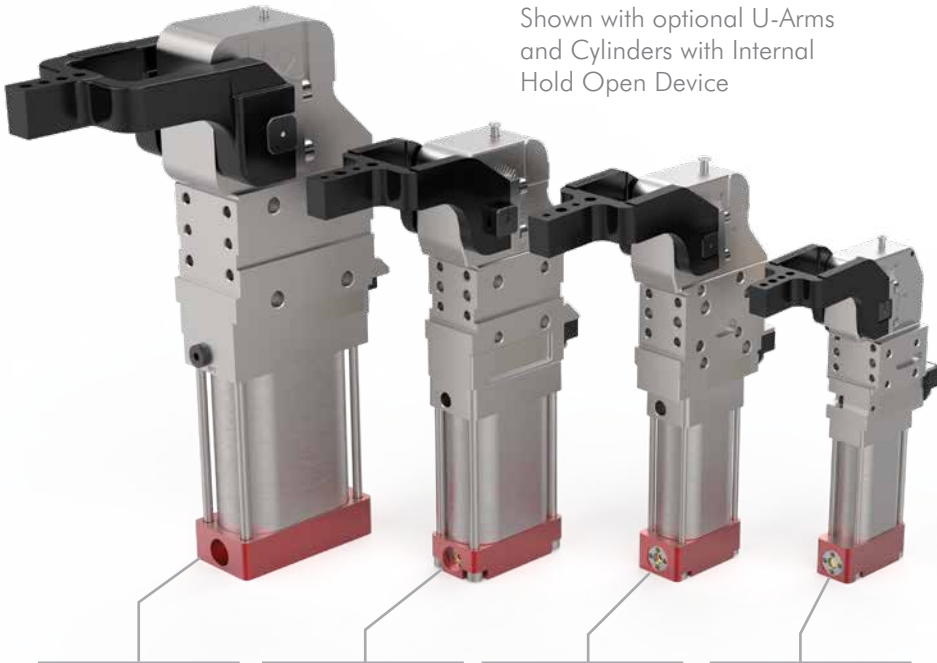


82M AND TCC

Enclosed Pneumatic Power Clamps | Heavy-Duty, Tolerance Compensation | Product Overview

82M Series Enclosed Power Clamp

Shown with optional U-Arms and Cylinders with Internal Hold Open Device



"B" Front Mount available for 82M and TCC size 40mm

Same mounting pattern as size 50 and 63mm



NAAMS Lateral Mounting available on 82M and TCC in addition to narrow, wide and NAAMS Clamp Arm Shafts

80mm

Max Holding Torque
3000 Nm
Max Clamping Torque
850 Nm at 5bar

63mm

Max Holding Torque
1800 Nm
Max Clamping Torque
420 Nm at 5bar

50mm

Max Holding Torque
1300 Nm
Max Clamping Torque
270 Nm at 5bar

40mm

Max Holding Torque
380 Nm
Max Clamping Torque
120 Nm at 5bar

TCC Tolerance Compensating Power Clamp

Shown with optional U-Arms and Cylinders with Internal Hold Open Device



63mm

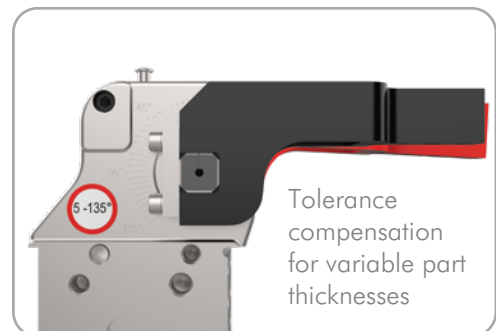
Max Holding Torque
295 Nm
Max Clamping Torque
295 Nm at 5bar

50mm

Max Holding Torque
175 Nm
Max Clamping Torque
175 Nm at 5bar

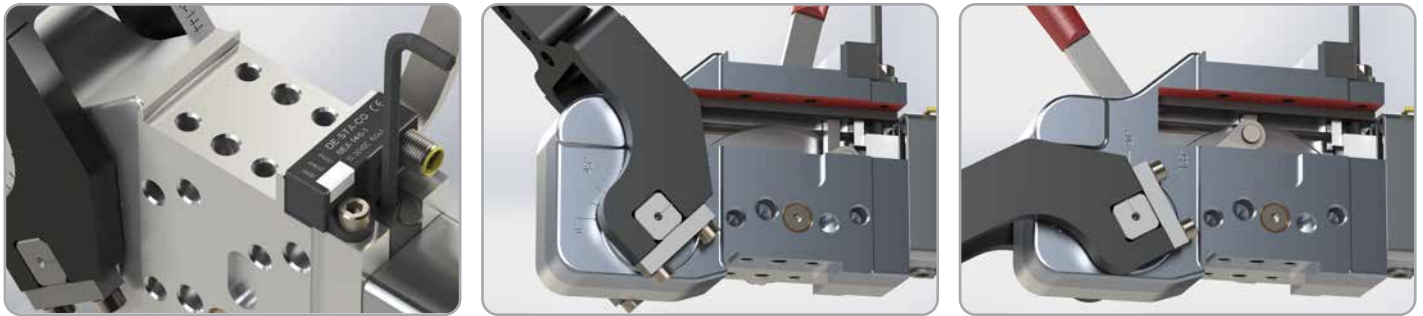
40mm

Max Holding Torque
85 Nm
Max Clamping Torque
85 Nm at 5bar



- Tolerance compensation for variable sheet metal thicknesses within three degrees of arm movement
- There is no need for shimming

Adjusting the Arm Opening Angle

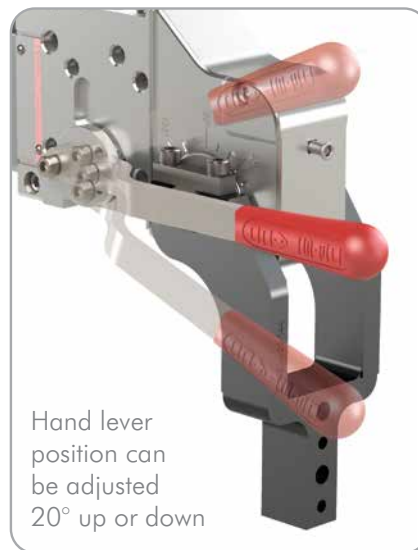


Easily adjust arm opening angle with an M5 Allen wrench.

- Move clamp arm to full open position.
- Using Allen wrench, release mechanism (leave Allen wrench in place).
- Move clamp arm to desired opening.
- Tighten to 20 Nm.

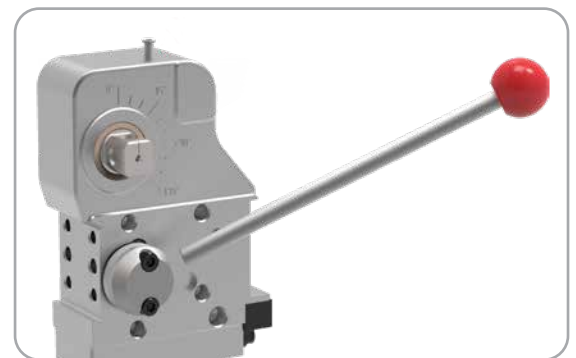
Enclosed Power Clamp Hand Lever (82M-3E Models Only)

Standard Adjustable Hand Lever



- Hand lever position is adjustable for improved ergonomics
- Handle can be mounted on the left or right side

Weldable Hand Lever



- Hand lever can be welded into a permanent position.
- Handle can be mounted on the left or right side

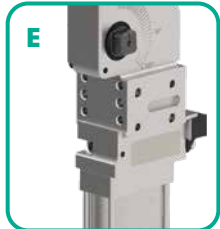
TCC-2

Enclosed Pneumatic Power Clamps | Heavy-Duty, Tolerance Compensation | Ordering Information

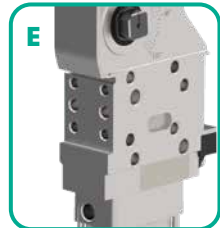
TCC-2 **E** **03** **00** **6A** **L8**

Mounting	Description	Clamp Arm Shaft	Description	Handle	Description
E	Standard Mounting	03	for U-Arms	00	No Hand lever
B	Common Front Mount for Size 40 only (same mount pattern as size 50 & 63)	23	for Lateral Arms		
N	NAAMS Side Mounting for Size 63 only		<i>See below for further details</i>		

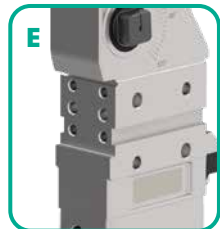
Mounting



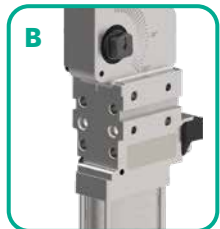
Size 40



Size 50



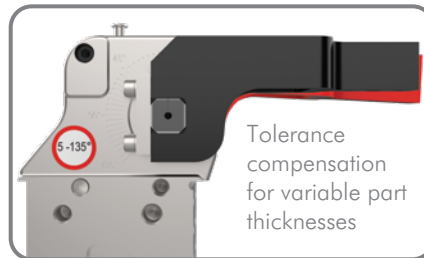
Size 63



Size 40 Only

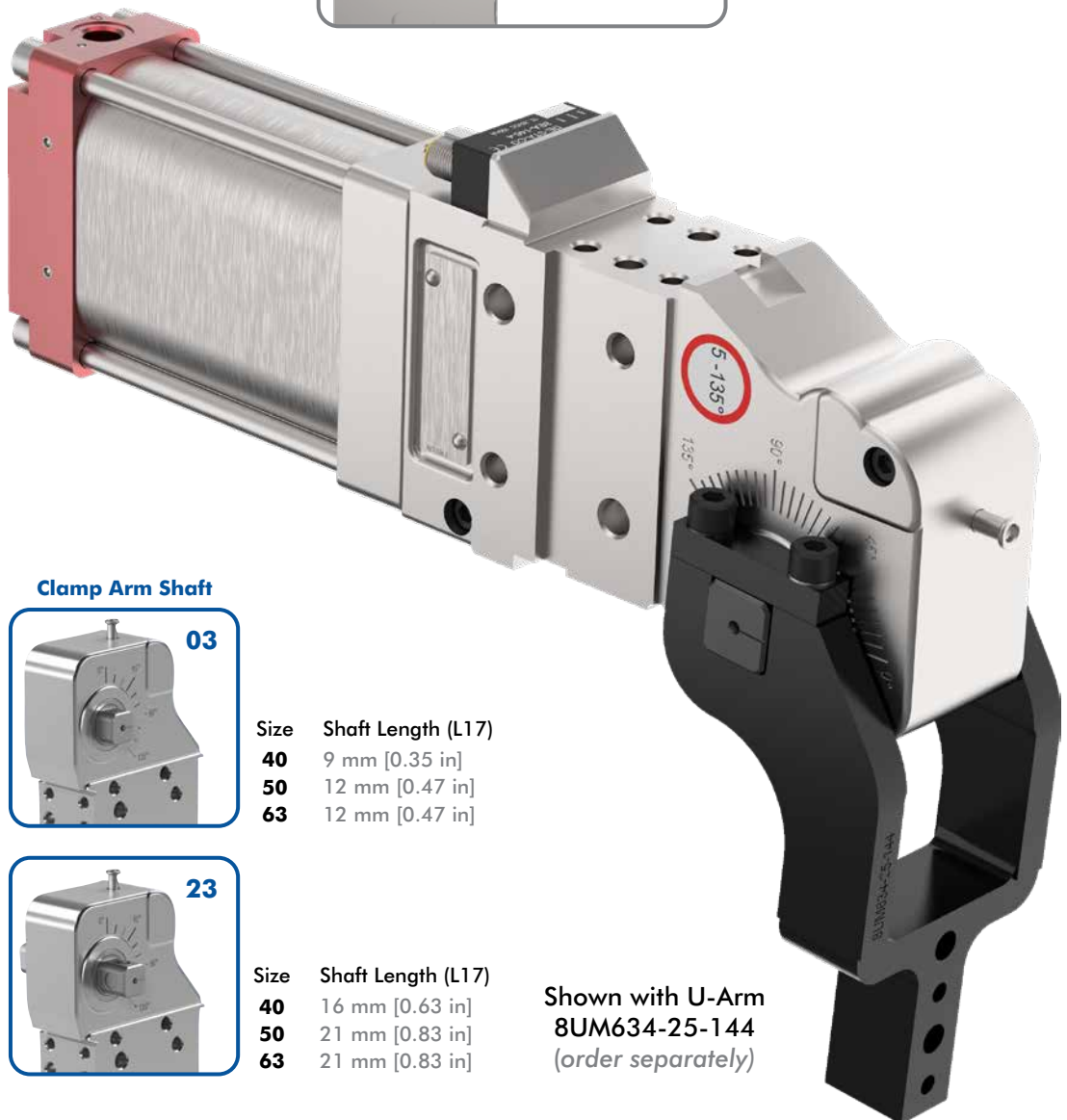


Size 63 Only



Tolerance compensation for variable part thicknesses

- Tolerance compensation for variable sheet metal thicknesses within three degrees of arm movement
- There is no need for shimming



Clamp Arm Shaft



03

Size	Shaft Length (L17)
40	9 mm [0.35 in]
50	12 mm [0.47 in]
63	12 mm [0.47 in]



23

Size	Shaft Length (L17)
40	16 mm [0.63 in]
50	21 mm [0.83 in]
63	21 mm [0.83 in]

Shown with U-Arm
8UM634-25-144
(order separately)

Enclosed Pneumatic Power Clamps | Heavy-Duty, Tolerance Compensation | Ordering Information

Sensor	Description
00	Without Sensing System
L8*	PNP Sensor with In-line M12x1 Connector (8EA-146-4)
N8*	NPN Sensor with In-line M12x1 Connector (8EA-154-4)
L9	PNP Sensor with 90° M12x1 Connector (8EA-147-4)
N9	NPN Sensor with 90° M12x1 Connector (8EA-155-4)
K8	PNP Sensor with M12x1 Cable Connector (8EA-158-4)
K9	NPN Sensor with M12x1 Cable Connector (8EA-167-4)

*Not available for use with **4V**, **5V**, **6V** cylinder option.

Sensor Cables Order separately

Order No.	Description
8EL-002-1	M12x1, Straight, 5-pin Connector with 5 m [16 ft] Cable
8EL-003-1	M12x1, Angular, 4-pin Connector with 5 m [16 ft] Cable



L8/N8



L9/N9



K8/K9



Cylinder (Standard)

- 40** 40 mm Cylinder (G1/8 Port)
- 50** 50 mm Cylinder (G1/4 Port)
- 5N** 50 mm Cylinder (1/4-18 NPT Port)
- 63** 63 mm Cylinder (G1/4 Port)
- 6N** 63 mm Cylinder (1/4-18 NPT Port)



Cylinder with Unlockable Return Valve

- 4C** 40 mm Cylinder (G1/8 Port)
- 5C** 50 mm Cylinder (G1/4 Port)
- 5D** 50 mm Cylinder (1/4-18 NPT Port)
- 6C** 63 mm Cylinder (G1/4 Port)
- 6D** 63 mm Cylinder (1/4-18 NPT Port)



Cylinder with Internal Hold Open Device

- 4A** 40 mm Cylinder (G1/8 Port)
- 5A** 50 mm Cylinder (G1/4 Port)
- 5B** 50 mm Cylinder (1/4-18 NPT Port)
- 6A** 63 mm Cylinder (G1/4 Port)
- 6B** 63 mm Cylinder (1/4-18 NPT Port)



Cylinder with Piston Rod Locking Device

- 4V** 40 mm Cylinder (G1/8 Port)
- 5V** 50 mm Cylinder (G1/4 Port)
- 6V** 63 mm Cylinder (G1/4 Port)



40

Max Holding/
Clamping Torque
85 Nm [62.7 ft-lb]
at 5 bar [72 psi]



50

Max Holding/
Clamping Torque
175 Nm [129 ft-lb]
at 5 bar [72 psi]



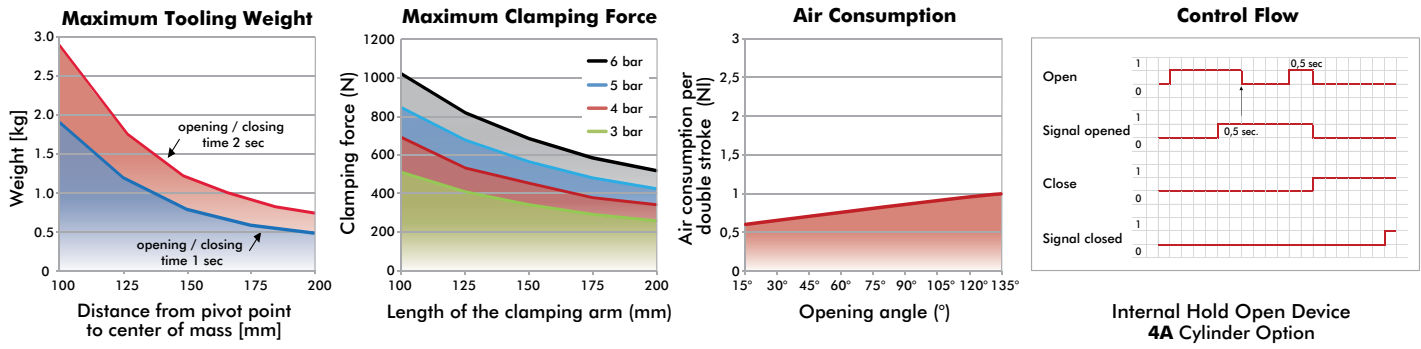
63

Max Holding/
Clamping Torque
295 Nm [217.6 ft-lb]
at 5 bar [72 psi]

TCC-2

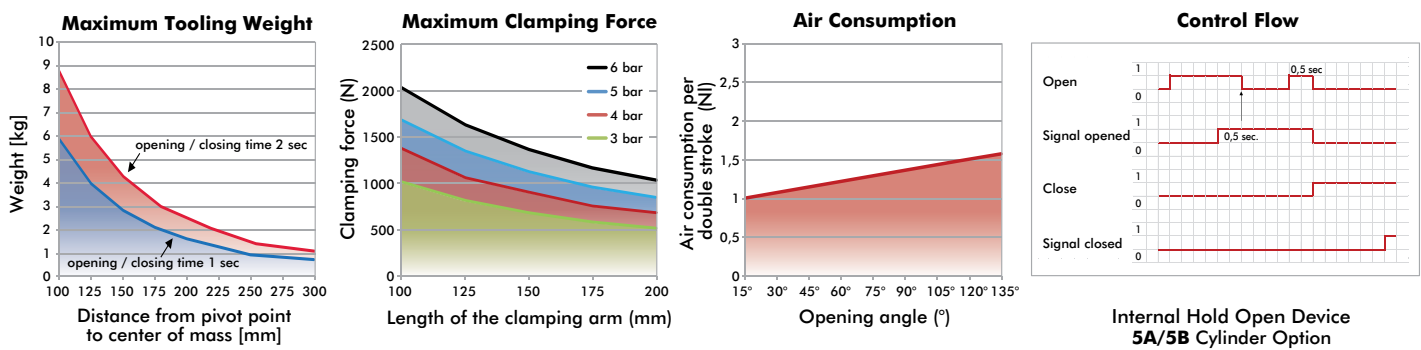
Enclosed Pneumatic Power Clamps | Heavy-Duty, Tolerance Compensation | Technical Specifications

Model	Max. Holding Torque (Nm)	Clamping Torque at 5 bar (Nm)	Cylinder Ø (mm)	Weight (kg)	Air Consumption per double stroke at 5 bar (liter)
TCC-2.....40..	85	85	40	1,6	0,9
TCC-2.....4A..					
TCC-2.....4B..					
TCC-2.....4C..				1,7	
TCC-2.....4V..				1,6	



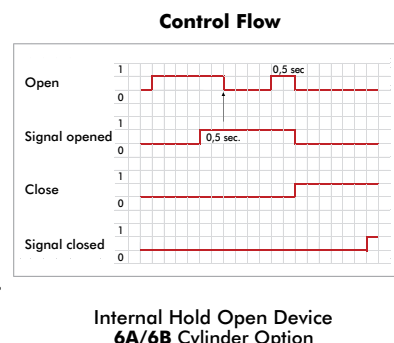
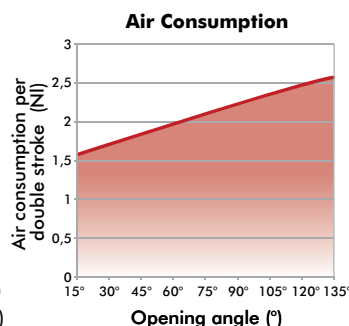
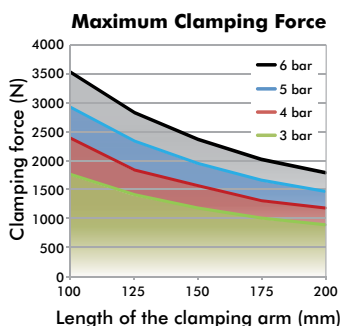
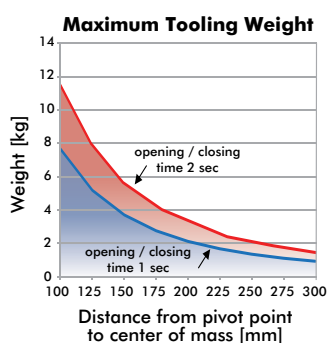
ATTENTION: Calculation tool available. Please consult factory.

Model	Max. Holding Torque (Nm)	Clamping Torque at 5 bar (Nm)	Cylinder Ø (mm)	Weight (kg)	Air Consumption per double stroke at 5 bar (liter)
TCC-2E...50..	175	175	50	2,8	1,6
TCC-2E...5N..					
TCC-2E...5A..					
TCC-2E...5B..					
TCC-2E...5C..				3,0	
TCC-2E...5D..					
TCC-2E...5V..				2,9	



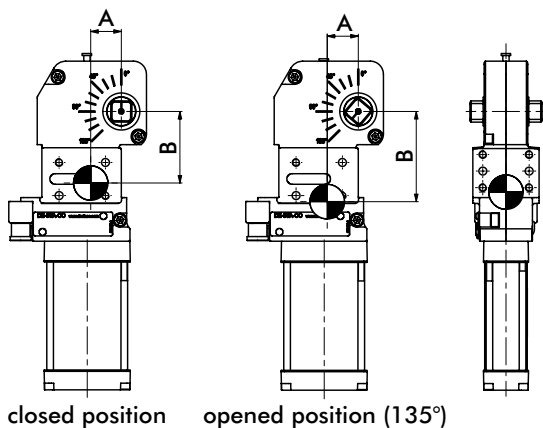
ATTENTION: Calculation tool available. Please consult factory.

Model	Max. Holding Torque (Nm)	Clamping Torque at 5 bar (Nm)	Cylinder Ø (mm)	Weight (kg)	Air Consumption per double stroke at 5 bar (liter)
TCC-2.....63..	295	295	63	3,8	2,6
TCC-2.....6N..				4,0	
TCC-2.....6A..					
TCC-2.....6B..					
TCC-2.....6C..					
TCC-2.....6D..					
TCC-2.....6V..	4,2				



ATTENTION: Calculation tool available. Please consult factory.

Center of Mass



Model	A		B		Weight
	Closed	Open	Closed	Open	
TCC-2E...40..	23	24	55	69	1,5
TCC-2B...40..	24		54	68	
TCC-2E...4A..	22			86	1,6
TCC-2B...4A..	23	23	72	85	
TCC-2E...4C..	25			89	1,7
TCC-2B...4C..	26	26	76	88	
TCC-2E...4V..	24			80	1,6
TCC-2B...4V..	24	24	66	79	
TCC-2E...50..				87	2,6
TCC-2E...5N..	24	25	70	87	
TCC-2E...5A..				99	2,8
TCC-2E...5B..			83	99	
TCC-2E...5C..	27	27	96	110	3,0
TCC-2E...5D..					
TCC-2E...5V..	25	26	84	99	2,9
TCC-2.....63..			89	105	
TCC-2.....6N..	27	28			3,7
TCC-2.....6A..			98	114	
TCC-2.....6B..					3,9
TCC-2.....6C..			116	130	
TCC-2.....6D..	30	30			4,4
TCC-2.....6V..	28	28	103	119	

82M-3

Enclosed Pneumatic Power Clamps | Heavy-Duty Modular | Ordering Information

82M-3 **E** **23** **H0** **50** **L8** - **1** ● North America Only

Mounting	Description
E	Standard Mounting
B	Common Front Mount for Size 40 only (same mount pattern as size 50 & 63)
N	NAAMS Side Mounting for Size 63 only

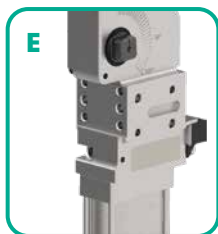
Clamp Arm Shaft	Description
03	for U-Arms
23	for Lateral Arms
D0	for Lateral Arms (size 63 NAAMS only)

Handle	Description
00	No Hand lever
H0	Hand Lever
HS	Weldable

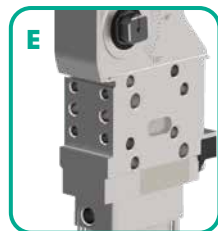
See below for further details

See below for further details

Mounting



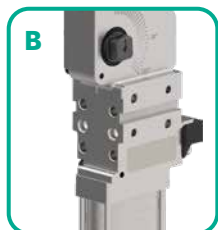
Size 40



Size 50



Size 63/80



Size 40 Only

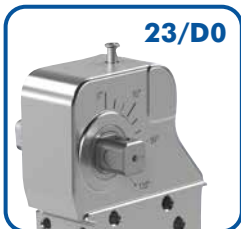


Size 63 Only

Clamp Arm Shaft



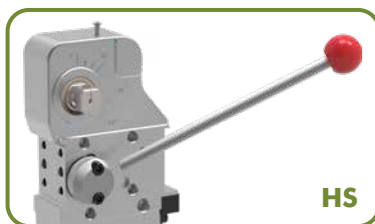
Size	Shaft Length (L17)
40	9 mm [0.35 in]
50	12 mm [0.47 in]
63	12 mm [0.47 in]



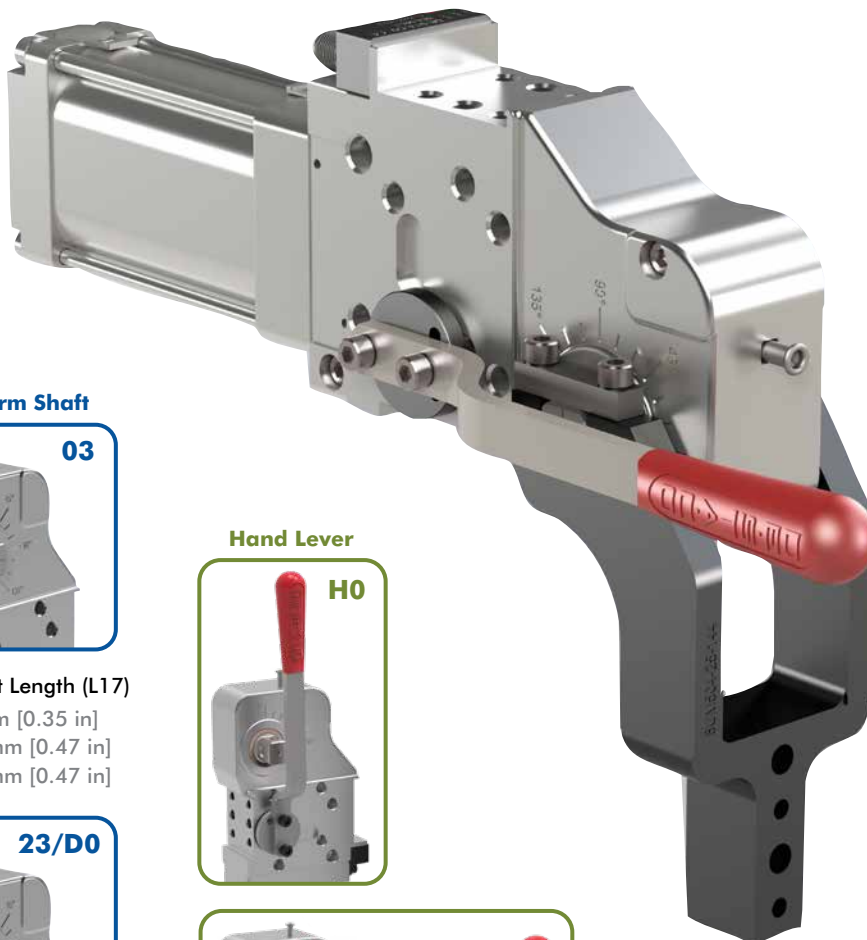
Size	Shaft Length (L17)
40	16 mm [0.63 in]
50	21 mm [0.83 in]
63	21 mm [0.83 in]
80	32 mm [1.26 in]

Size	Shaft Length (L17)
63	26 mm [1.02 in]

Hand Lever



Hand Lever	Description
00	No Hand Lever
H0	Standard Hand Lever (not compatible with cylinder options *A, *B)
HS	Weldable Hand Lever (not compatible with cylinder options *A, *B)



Shown with U-Arm
8UM504-25-144
(order separately)

Enclosed Pneumatic Power Clamps | Heavy-Duty Modular | Ordering Information

Sensor	Description
00	Without Sensing System
L8	PNP Sensor with In-line M12x1 Connector (8EA-146-4)
N8	NPN Sensor with In-line M12x1 Connector (8EA-154-4)
L9	PNP Sensor with 90° M12x1 Connector (8EA-147-4)
N9	NPN Sensor with 90° M12x1 Connector (8EA-155-4)
K8	PNP Sensor with M12x1 Cable Connector (8EA-158-4)
K9	NPN Sensor with M12x1 Cable Connector (8EA-167-4)



Cylinder - Standard

- 40** 40 mm Cylinder (G1/8 Port)
- 50** 50 mm Cylinder (G1/4 Port)
- 5N** 50 mm Cylinder (1/4-18 NPT Port)
- 63** 63 mm Cylinder (G1/4 Port)
- 6N** 63 mm Cylinder (1/4-18 NPT Port)
- 80** 80 mm Cylinder (G1/4 Port)
- 8N** 80 mm Cylinder (1/4-18 NPT Port)



Cylinder with Internal Hold Open Device

- 4A** 40 mm Cylinder (G1/8 Port)
- 5A** 50 mm Cylinder (G1/4 Port)
- 5B** 50 mm Cylinder (1/4-18 NPT Port)
- 6A** 63 mm Cylinder (G1/4 Port)
- 6B** 63 mm Cylinder (1/4-18 NPT Port)
- 8A** 80 mm Cylinder (G1/4 Port)
- 8B** 80 mm Cylinder (1/4-18 NPT Port)



40

Max Holding Torque
380 Nm [280 ft-lb]
Max Clamping Torque
120 Nm [89 ft-lb]
at 5 bar [72 psi]

50

Max Holding Torque
1300 Nm [959 ft-lb]
Max Clamping Torque
270 Nm [199 ft-lb]
at 5 bar [72 psi]

63

Max Holding Torque
1800 Nm [1328 ft-lb]
Max Clamping Torque
420 Nm [310 ft-lb]
at 5 bar [72 psi]

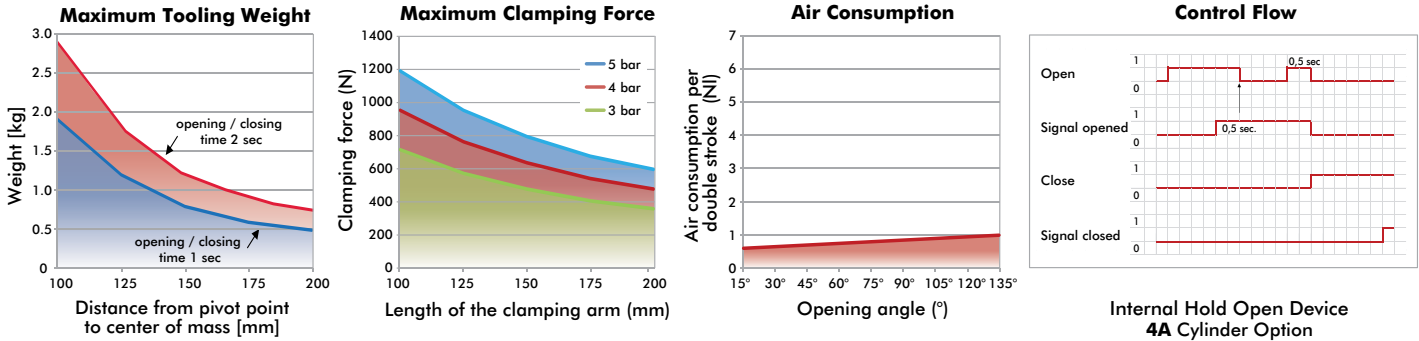
80

Max Holding Torque
3000 Nm [2213 ft-lb]
Max Clamping Torque
850 Nm [627 ft-lb]
at 5 bar [72 psi]

82M-3

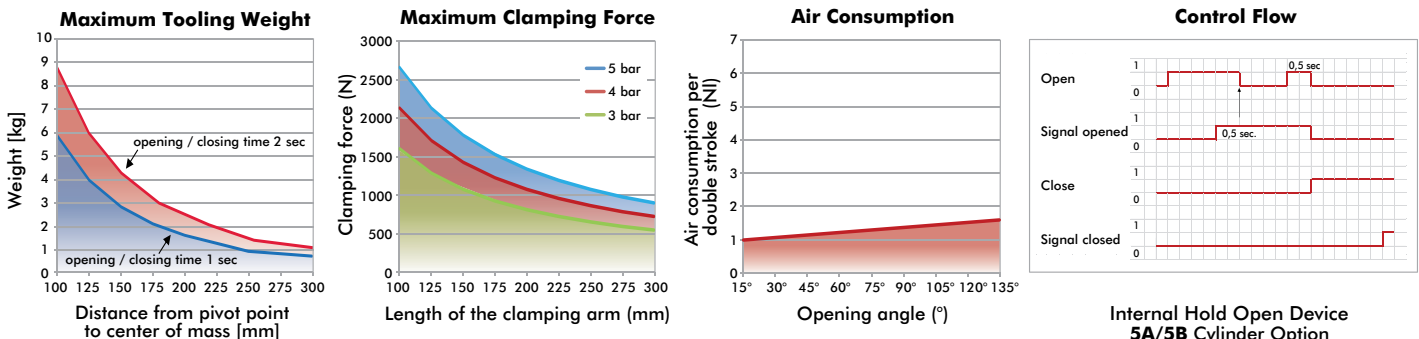
Enclosed Pneumatic Power Clamps | Heavy-Duty Modular | Technical Specifications

Model	Max. Holding Torque (Nm)	Clamping Torque at 5 bar (Nm)	Cylinder Ø (mm)	Weight (kg)	Air Consumption per double stroke at 5 bar (liter)
82M-3E...4...	380	120	40	1,5	0,9
82M-3B...4...					



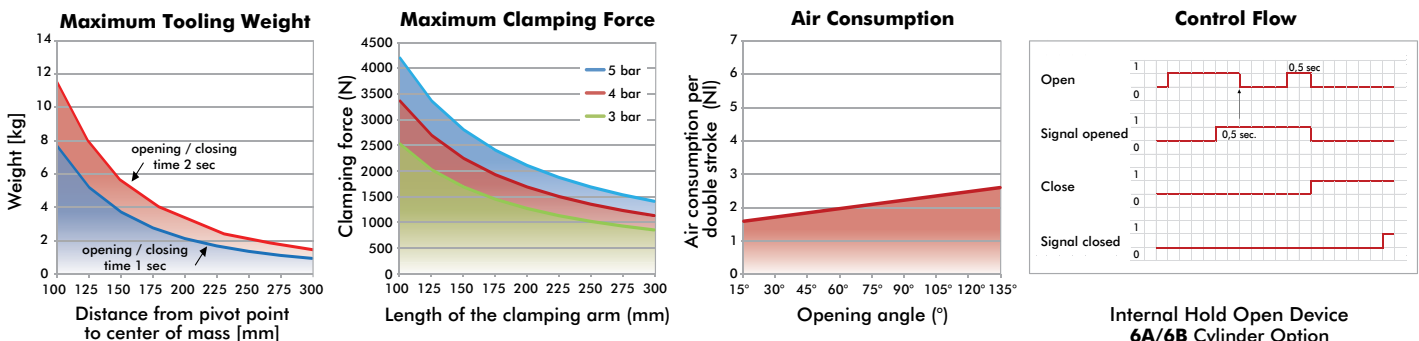
ATTENTION: Calculation tool available. Please consult factory.

Model	Max. Holding Torque (Nm)	Clamping Torque at 5 bar (Nm)	Cylinder Ø (mm)	Weight (kg)	Air Consumption per double stroke at 5 bar (liter)
82M-3E...5...	1300	270	50	2,8	1,6



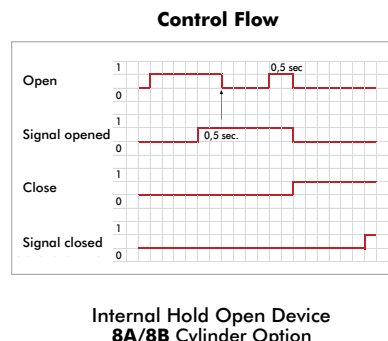
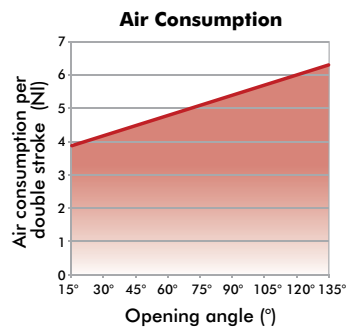
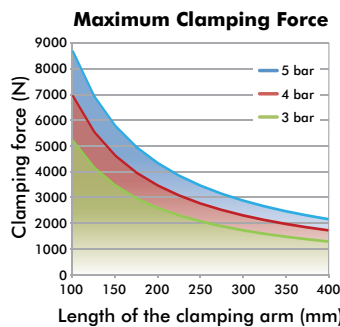
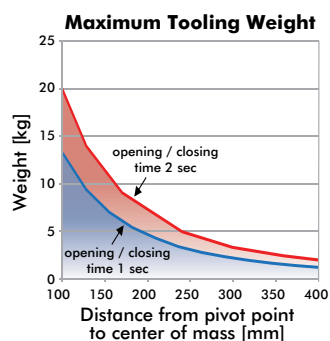
ATTENTION: Calculation tool available. Please consult factory.

Model	Max. Holding Torque (Nm)	Clamping Torque at 5 bar (Nm)	Cylinder Ø (mm)	Weight (kg)	Air Consumption per double stroke at 5 bar (liter)
82M-3E...6...	1800	420	63	3,8	2,6
82M-3N...6...					



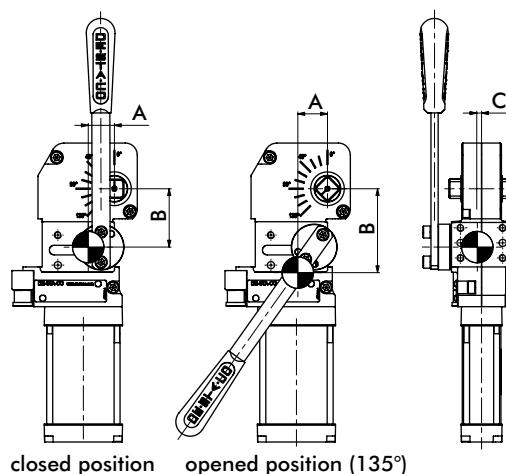
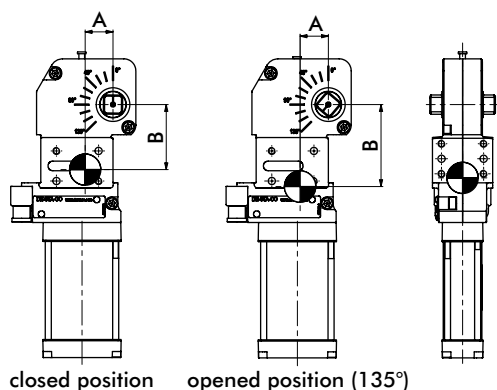
ATTENTION: Calculation tool available. Please consult factory.

Model	Max. Holding Torque (Nm)	Clamping Torque at 5 bar (Nm)	Cylinder Ø (mm)	Weight (kg)	Air Consumption per double stroke at 5 bar (liter)
82M-3E...80..	3000	850	80	8,7	6,3
82M-3E...8N..				8,8	
82M-3E...8A..					
82M-3E...8B..					



ATTENTION: Calculation tool available. Please consult factory.

Center of Mass



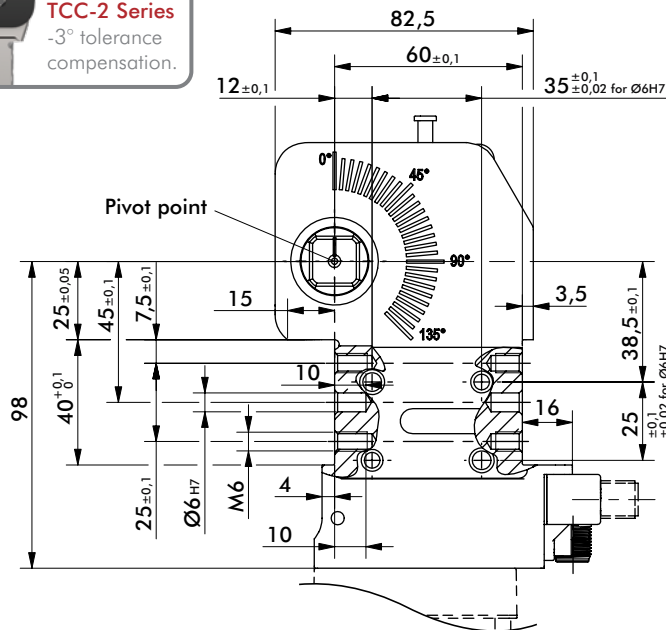
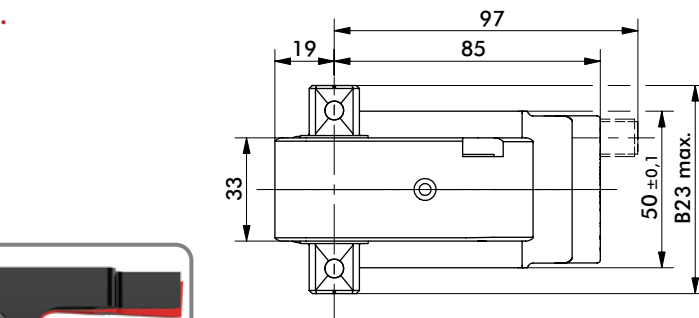
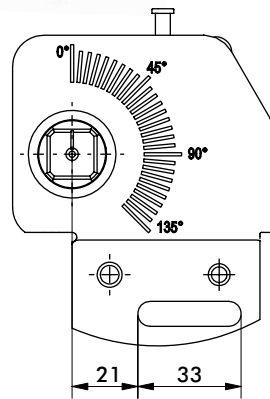
Model	Without Handle				Weight
	A		B		
	Closed	Open	Closed	Open	
82M-3E...40..	23	24	55	69	1,5
82M-3B...40..	24	24	54	68	
82M-3E...4A..	22	23	72	86	1,6
82M-3B...4A..	23		85		
82M-3E...50..	24	25	70	87	2,8
82M-3E...5N..			83	99	
82M-3E...5A..			83	99	
82M-3E...5B..			83	99	
82M-3...63..	27	28	88	103	3,8
82M-3...6N..			98	114	
82M-3...6A..			98	114	
82M-3...6B..			98	114	
82M-3E...80..	36	37	98	123	8,7
82M-3E...8N..			98	123	
82M-3E...8A..			104	129	
82M-3E...8B..			104	129	

Model	With Handle				C	Weight
	A		B			
	Closed	Open	Closed	Open		
82M-3E...40..	22	25	49	70	4	1,6
82M-3B...40..	24	27	46	67		
82M-3E...50..	23	30	62	85	3	3,1
82M-3E...5N..			62	85		
82M-3...63..	26	30	80	102	3	4,2
82M-3...6N..			80	102		
82M-3E...80..	35	38	93	122	2	9,2
82M-3E...8N..			93	122		

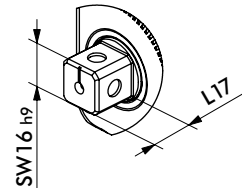
82M-3/TCC-2, 40MM

Enclosed Pneumatic Power Clamps | Heavy-Duty Modular | Dimensions

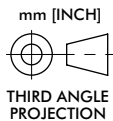
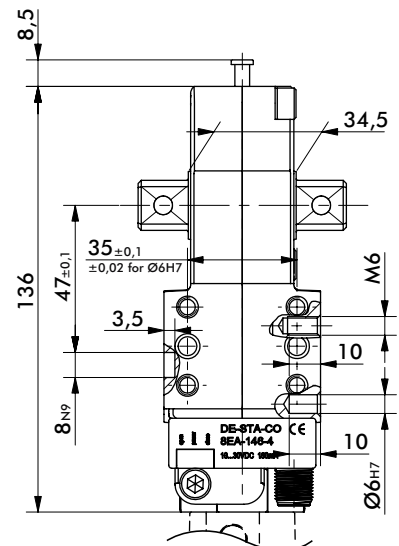
82M-3E/TCC-2E...4.



Dimensions of the driven shaft



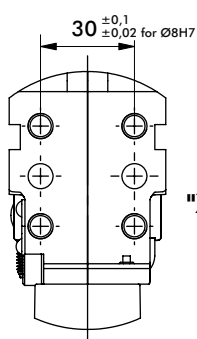
Model	B23 Max.	L17
82M-3.03/TCC-2.03..4...	54,5	9
82M-3.23/TCC-2.23..4...	66,5	16



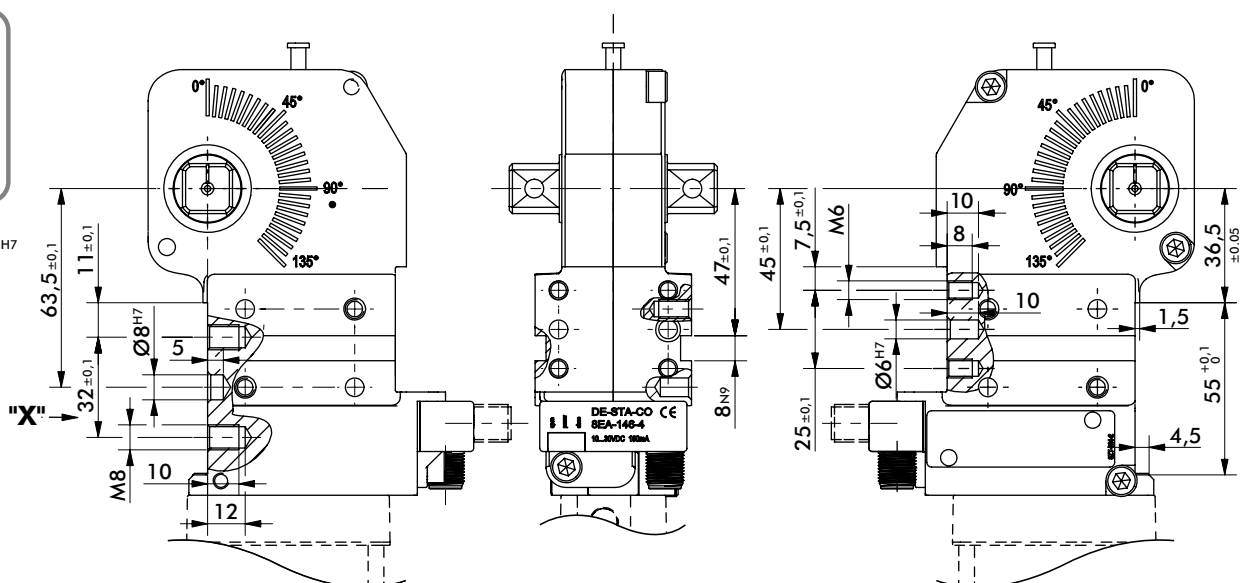
Power by compressed air, max. 6 bar operation with oil-free air is permissible. The connector socket and the cable are not supplied with the unit. Safe "holding/clamping" only under pressurization (for TCC models only).

82M-3B/TCC-2B...4.

Dimensions below for "B" mounting surfaces. See above for additional base unit dimensions.



View "X"

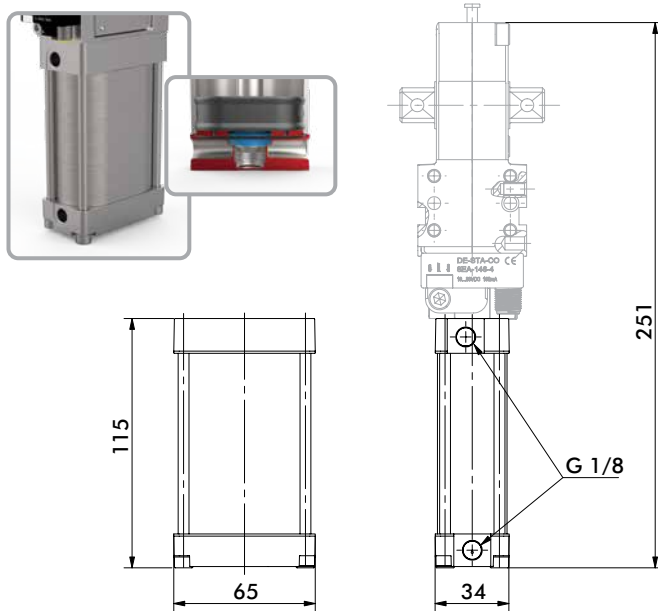


82M-3/TCC-2, 40MM

Enclosed Pneumatic Power Clamps | Heavy-Duty Modular | Cylinder Options Dimensions

82M-3/TCC-2.....40

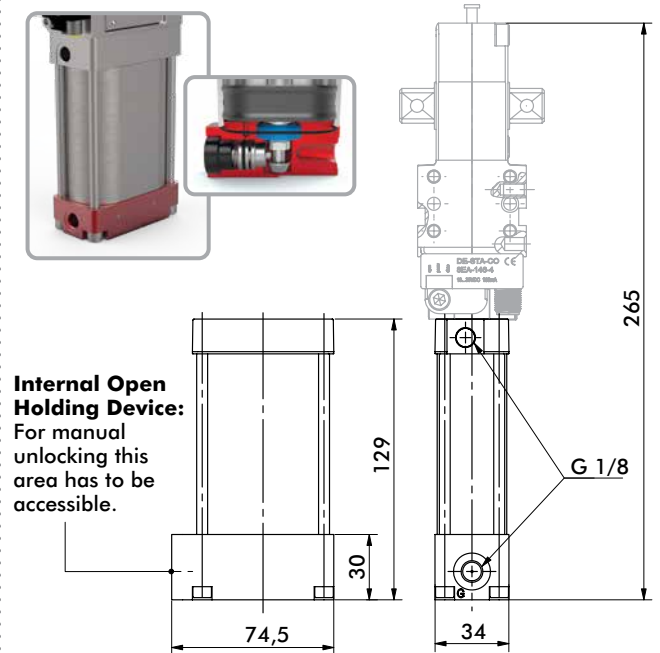
Standard Cylinder



82M-3/TCC-2.....4A

Cylinder with Internal Hold Open Device

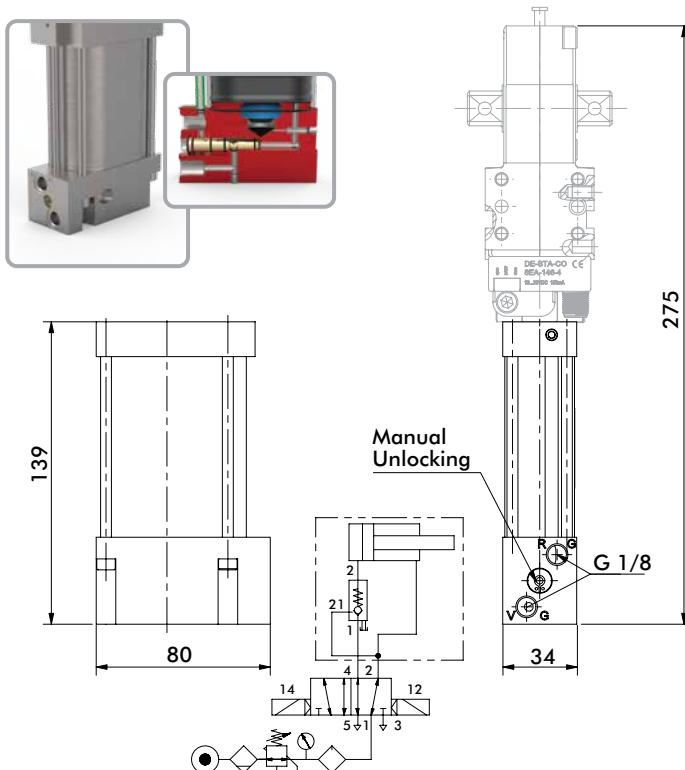
Securely holds clamp in the open position.



TCC-2.....4C

Cylinder with Unlock-able Return Valve

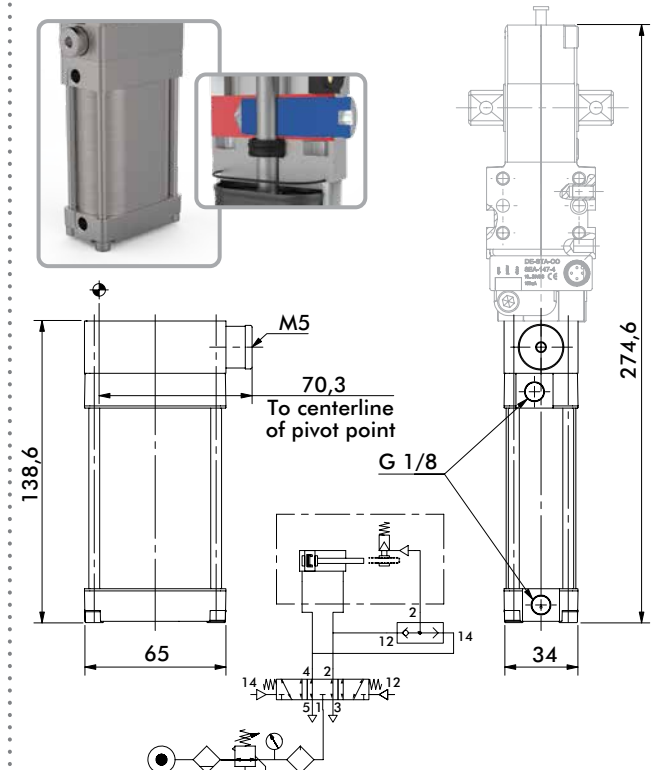
Pneumatically holds clamp arm in the closed position when air is released.



TCC-2.....4V

Cylinder with Rod Locking Device

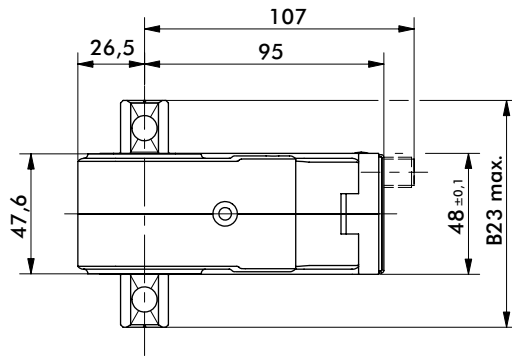
Uses friction to clamp rod at any point between open and closed positions.



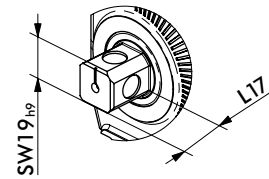
82M-3/TCC-2, 50MM

Enclosed Pneumatic Power Clamps | Heavy-Duty Modular | Dimensions

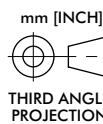
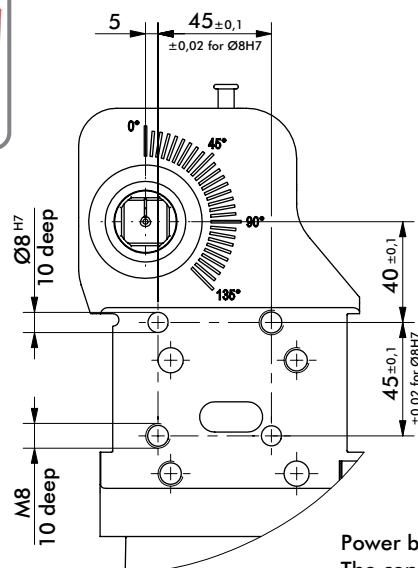
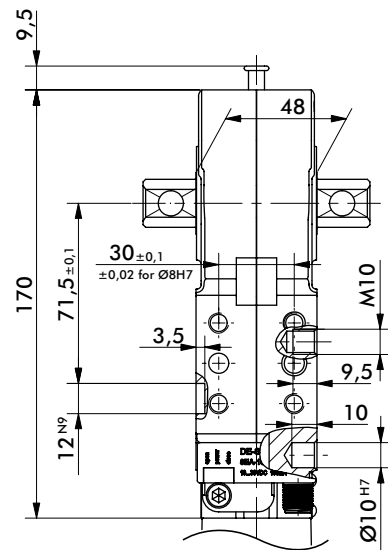
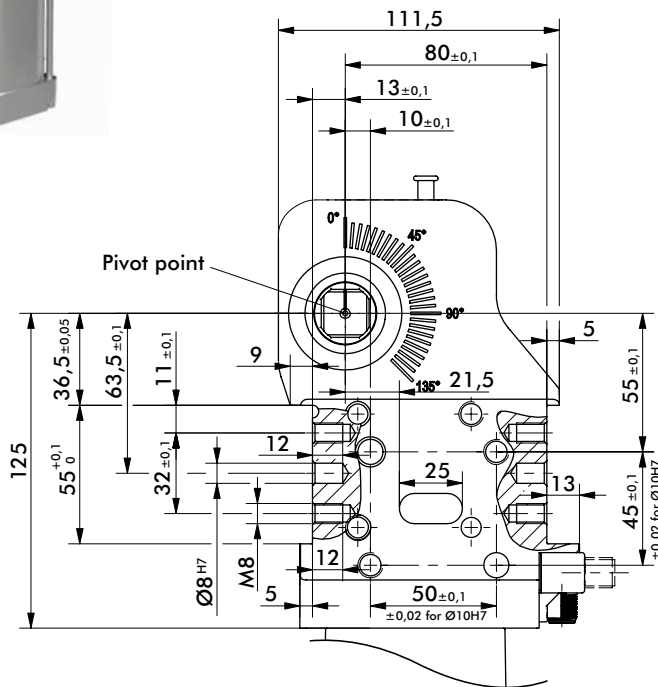
82M-3E/TCC-2E...5.



Dimensions of the driven shaft



Model	B23 Max.	L17
82M-3E03/TCC-2E03..5...	72	12
82M-3E23/TCC-2E23..5...	90	21



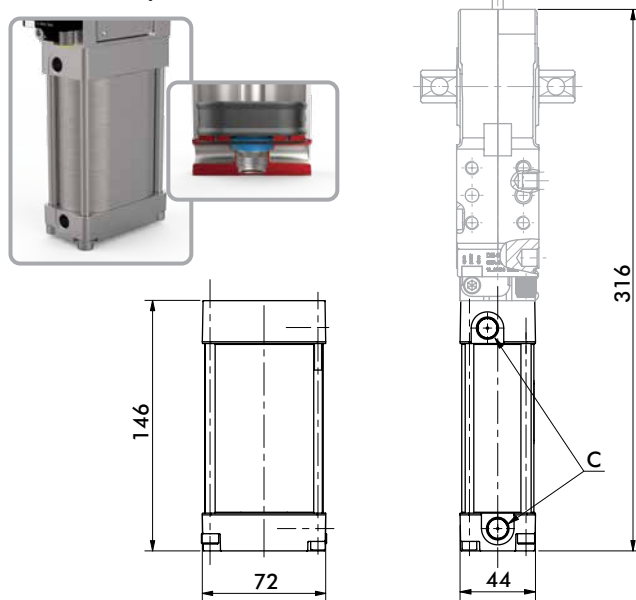
Power by compressed air, max. 6 bar operation with oil-free air is permissible. The connector socket and the cable are not supplied with the unit. Safe "holding/clamping" only under pressurization (for TCC models only).

82M-3/TCC-2, 50MM

Enclosed Pneumatic Power Clamps | Heavy-Duty Modular | Cylinder Options Dimension

82M-3E/TCC-2E...50/5N

Standard Cylinder



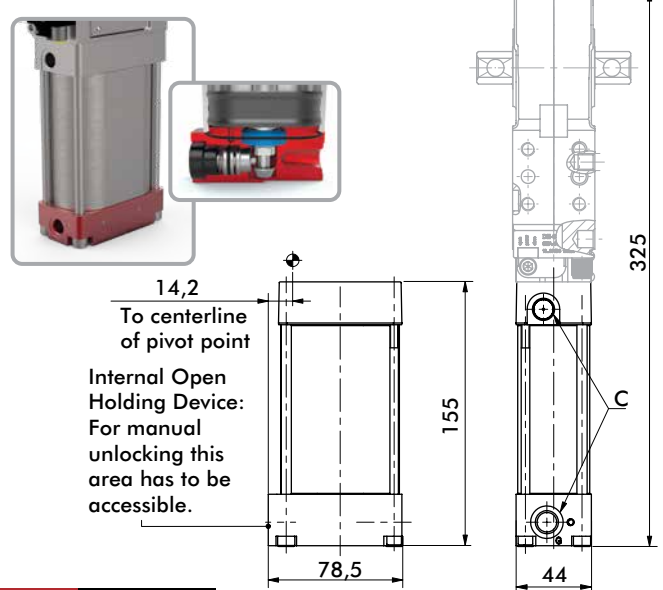
Ports	C
50	G1/4
5N	1/4-18 NPT

Important! For optimal cushioning, external pneumatic one-way flow control valves should be used.

82M-3E/TCC-2E...5A/5B

Cylinder with Internal Hold Open Device

Securely holds clamp in the open position.



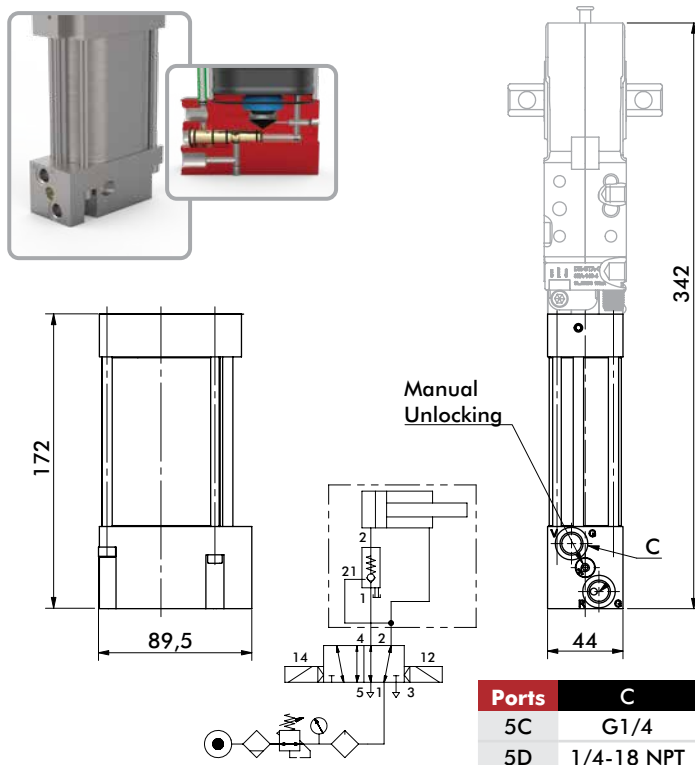
Ports	C
5A	G1/4
5B	1/4-18 NPT

Important! For optimal cushioning, external pneumatic one-way flow control valves should be used.

TCC-2E...5C/5D

Cylinder with Unlock-able Return Valve

Pneumatically holds clamp arm in the closed position when air is released.

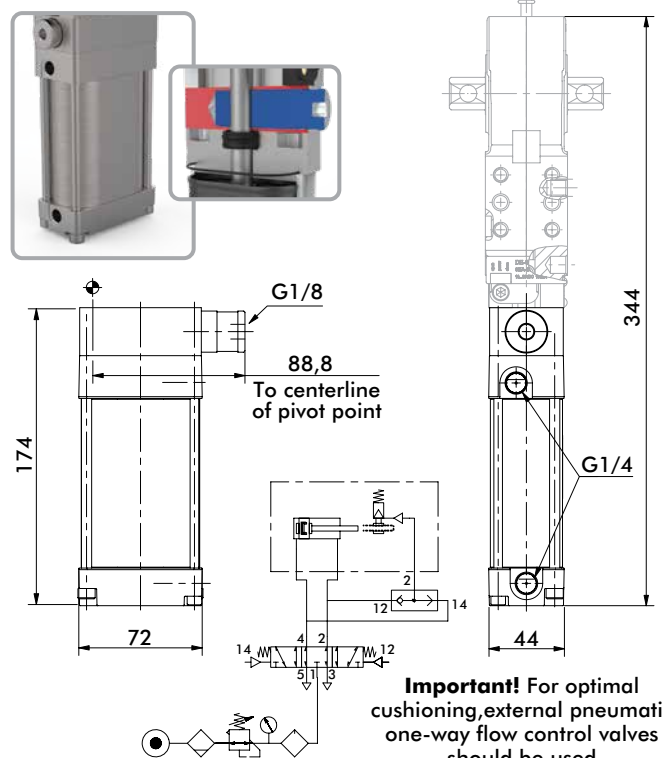


Ports	C
5C	G1/4
5D	1/4-18 NPT

TCC-2E...5V

Cylinder with Rod Locking Device

Uses friction to clamp rod at any point between open and closed positions.



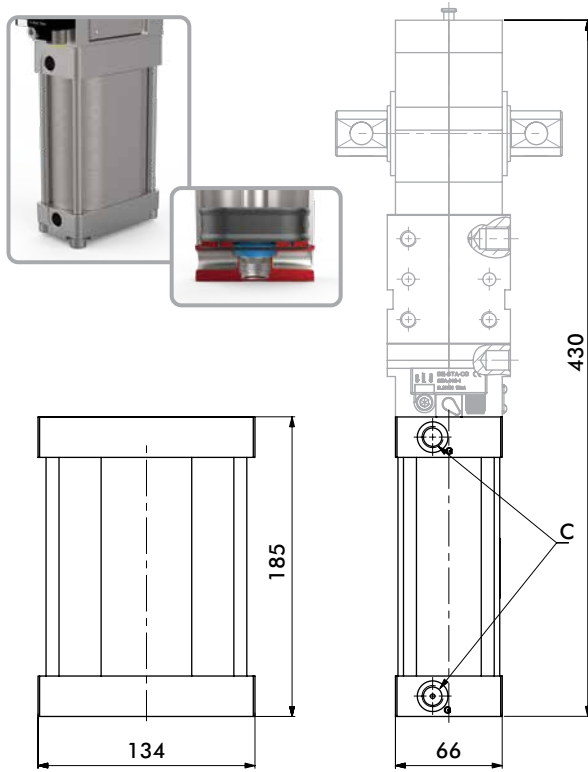
Important! For optimal cushioning, external pneumatic one-way flow control valves should be used.

82M-3, 80MM

Enclosed Pneumatic Power Clamps | Heavy-Duty Modular | Cylinder Options Dimension

82M-3E...80/8N

Standard Cylinder



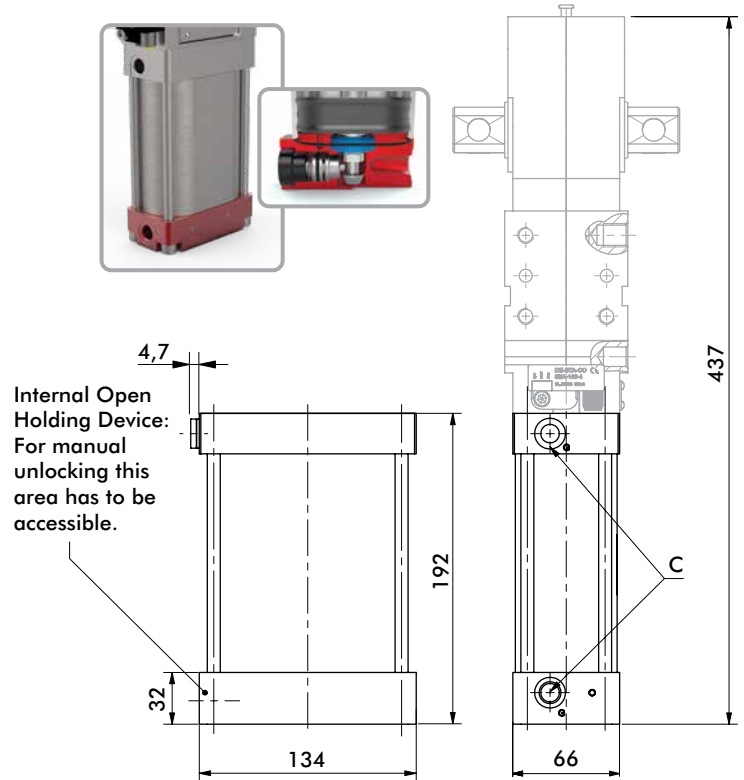
Ports	C
80	G1/4
8N	1/4-18 NPT

Important! For optimal cushioning, external pneumatic one-way flow control valves should be used.

82M-3E...8A/8B

Cylinder with Internal Hold Open Device

Securely holds clamp in the open position.



Internal Open Holding Device:
For manual unlocking this area has to be accessible.

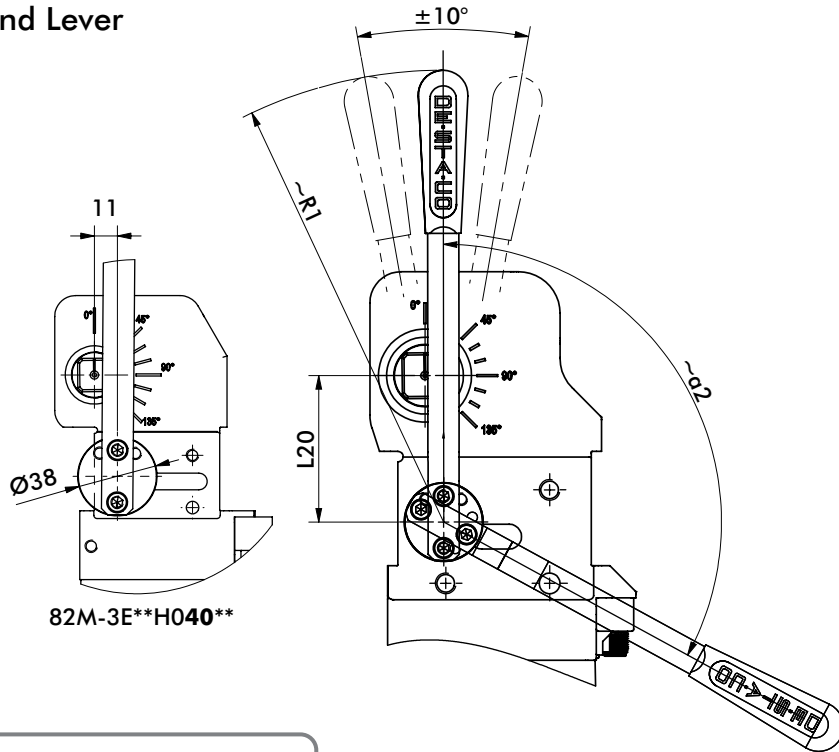
Ports	C
8A	G1/4
8B	1/4-18 NPT

Important! For optimal cushioning, external pneumatic one-way flow control valves should be used.

82M-3 ACCESSORIES

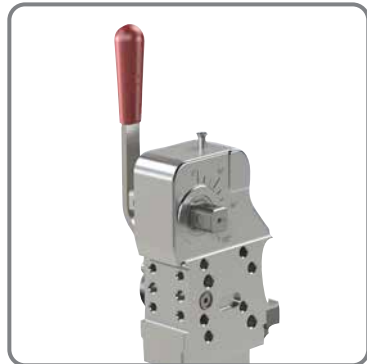
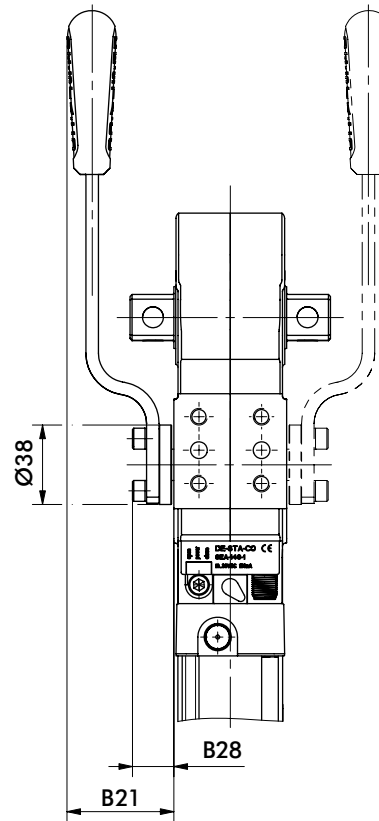
Enclosed Pneumatic Power Clamps | Heavy-Duty Modular | Dimensions and Technical Specifications

Hand Lever

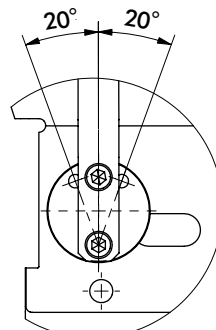
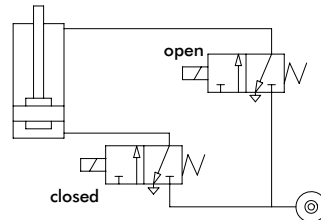


82M-3E**H040**

Hand lever left Hand lever right



Pneumatic circuit required for manual and pneumatic actuation.



Hand lever can be mounted in 3 positions



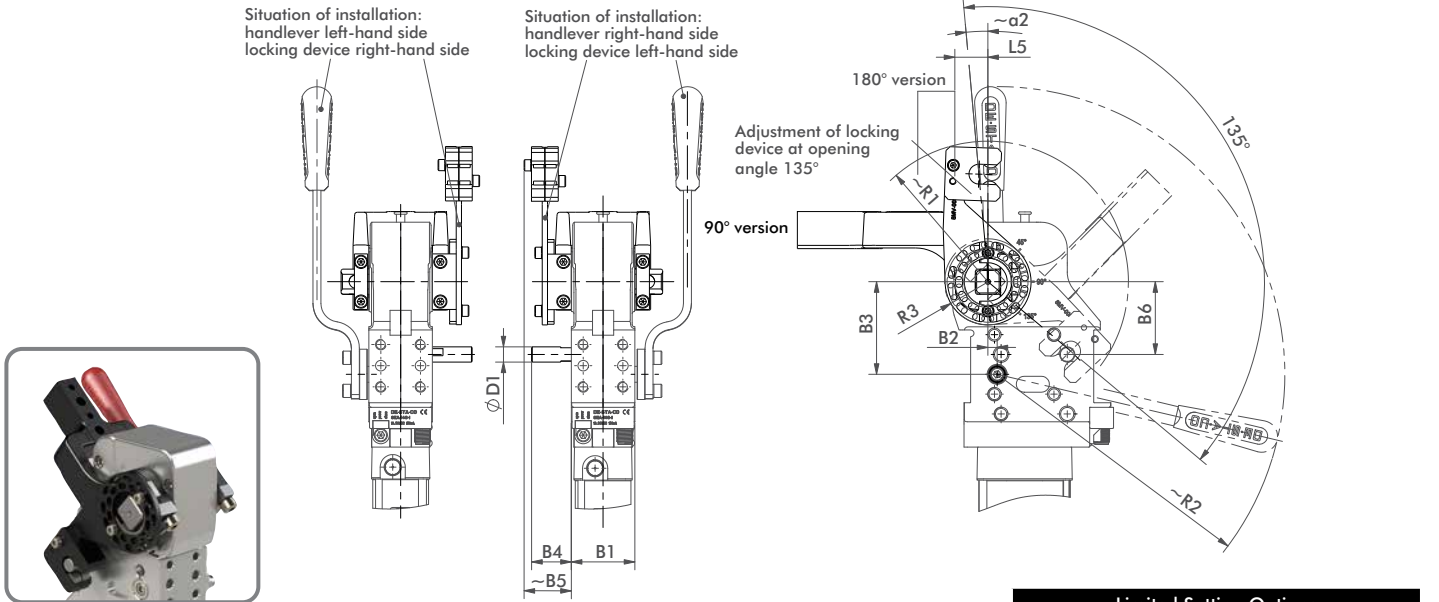
Hand lever position is adjustable to ± 20 degrees for improved ergonomics.

Model No.	B21	B28	L20	~R1	Swivel Angle $\alpha 2$ (with reference to opening angle of clamp arm)									
					0°	15°	30°	45°	60°	75°	90°	105°	120°	135°
82M-3...H040..	27	24	48,5	160	0°	31°	41°	49°	58°	69°	88°	113°	134°	144°
82M-3...H05...	52	20	70	218	-1°	30°	39°	46°	53°	61°	70°	81°	92°	103°
82M-3...H06..	52	20	70,5	218	0°	30°	39°	47°	56°	66°	79°	94°	108°	119°
82M-3...H08..	56	24	82	268	-1°	28°	37°	45°	53°	63°	75°	92°	107°	117°

82M-3 ACCESSORIES

Enclosed Pneumatic Power Clamps | Heavy-Duty Modular | Dimensions and Technical Specifications

Locking Device for Hand Lever

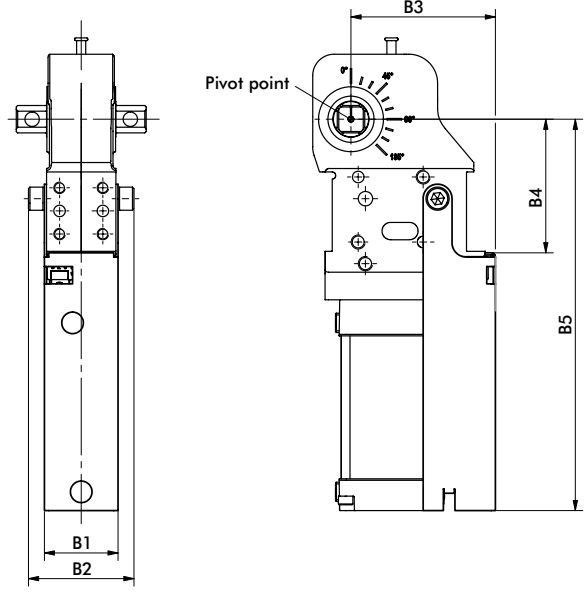


Order No.	For Model	B1	B2	B3	B4	B5	B6	ØD1	R1	R2	R3	α2	Limited Setting Options					
													Height of the clamping arm: L5 max.					
													90° version		180° version			
													45	75	00	15	25	45
82ZB-162-1	82M-3...H040..	50	11	48,5	25	31	38,5	10,5	81	160	27	6	120°	-	105°	120°	120°	120°
82ZB-084-1	82M-3...H05...	48	7	70	30	36	55	11,5	107	218	32,5	6	120°	-	-	105°	120°	-
82ZB-039-1	82M-3...H06...	54	9	70,5	30	36	55	11,5	107	210	32,5	6	110°	105°	-	105°	120°	-



Anti-ramming device is only available for standard cylinder with 82M-3...00..00 and 82M-3...00..L8

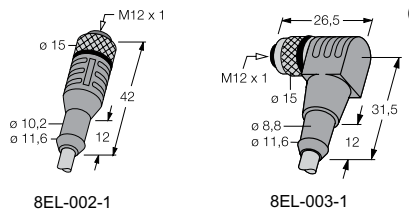
Anti-Ramming Device



Order No.	For Model	B1	B2	B3	B4	B5
8AB-151-1	82M-3....40..	53	66,5	89,5	65,5	210,5
8AB-152-1	82M-3....5...	51	73	100	92,5	271
8AB-153-1	82M-3....6...	57	79	120	104,5	296
8AB-154-1	82M-3....8...	79	105,5	148	142,5	360

Cable and Connector

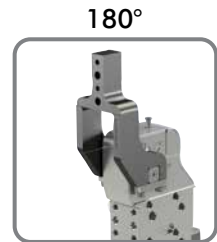
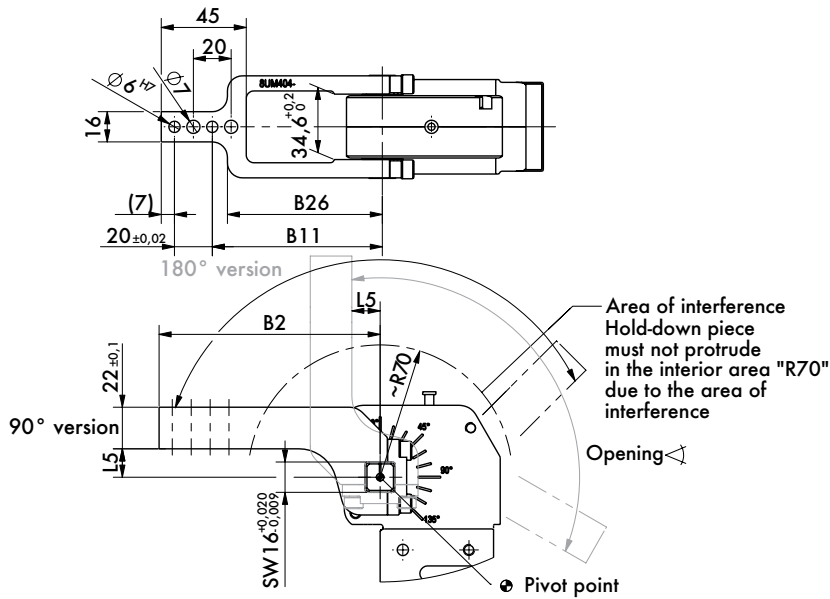
Order No.	Description
8EL-002-1	M12x1, Straight, 5-pin Connector with 5m Cable
8EL-003-1	M12x1, Angular, 4-pin Connector with 5m Cable



U-ARMS CENTER (ALUMINUM)

Enclosed Pneumatic Power Clamps | Heavy-Duty Modular | Dimensions and Technical Specifications

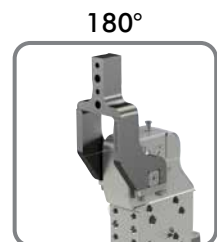
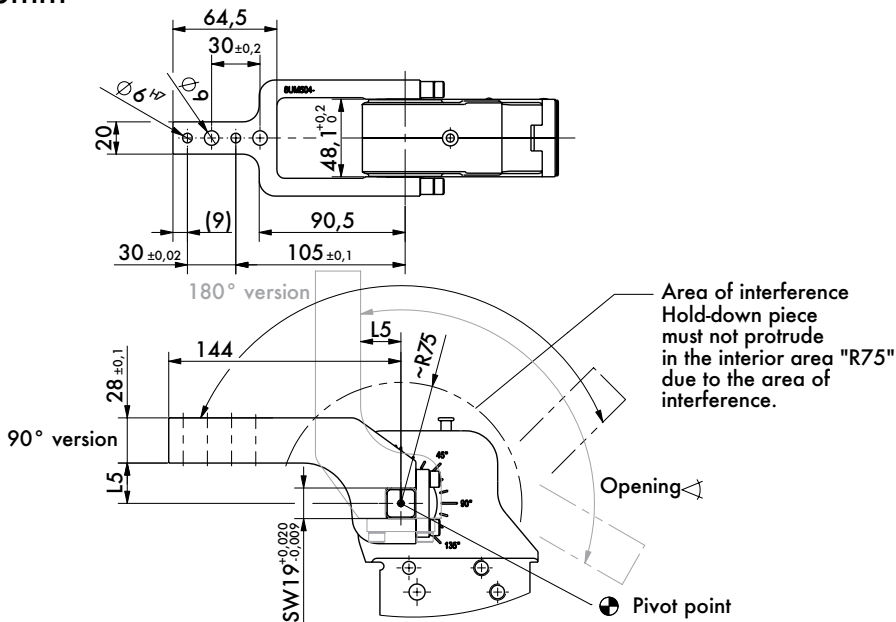
For Size 40mm



8UM404-00-117
8UM404-15-117
8UM404-25-117
8UM404-45-107

Arm Model No.	Max. Opening 90° Version	Max. Opening 180° Version	Weight (kg)	B2	B11 ±0,1	B26	L5
8UM404-00-117		105°	0,23				0
8UM404-15-117	135°	120°	0,24	117	90	82	15
8UM404-25-117			0,25				25
8UM404-45-107	130°	135°	0,24	107	80	72	45

For Size 50mm



8UM504-15-144
8UM504-25-144
8UM504-45-144

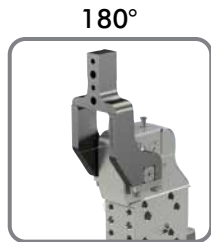
Arm Model No.	Max. Opening 90° Version	Max. Opening 180° Version	Weight (kg)	L5
8UM504-15-144		105°	0,44	15
8UM504-25-144	135°	120°	0,45	25
8UM504-45-144		135°	0,48	45

U-ARMS CENTER (ALUMINUM)

Enclosed Pneumatic Power Clamps | Heavy-Duty Modular | Dimensions and Technical Specifications

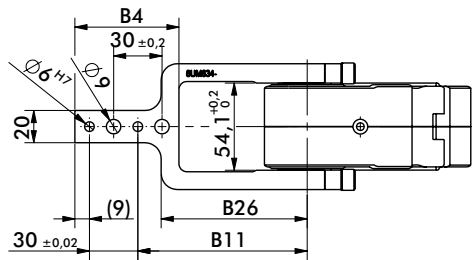


90°

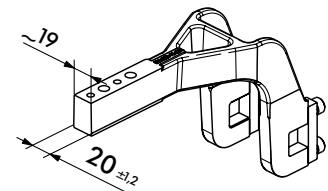


180°

8UM634-15-144
8UM634-25-144
8UM634-45-144
8UM631-75-204

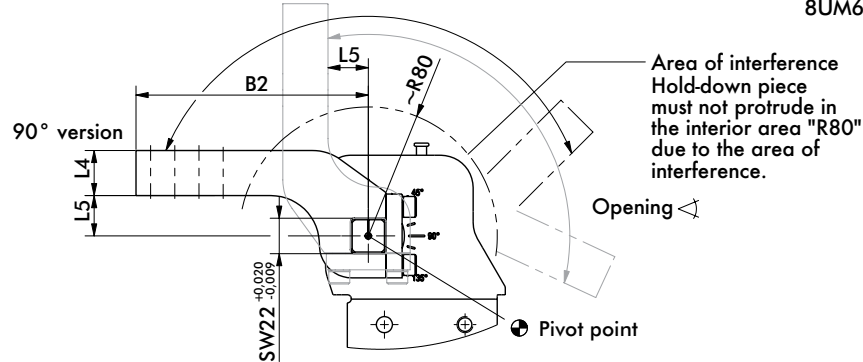


180° version



For Size 63mm

Dimensions are only for 8UM631-75-204

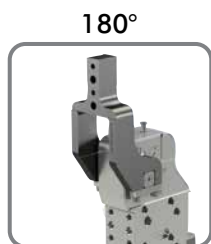


Arm Model No.	Max. Opening 90° Version	Max. Opening 180° Version	Weight (kg)	B2	B4	B11 ±0,1	B26	L4 ±0,1	L5
8UM634-15-144	135°	105°	0,50						15
8UM634-25-144		120°	0,53	144	64,5	105	90,5	28	25
8UM634-45-144		135°	0,56						45
8UM631-75-204*		1,7	204	82	165	107	30	75	

* only steel version available.

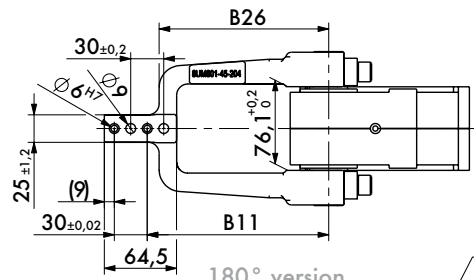


90°

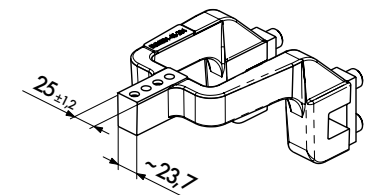


180°

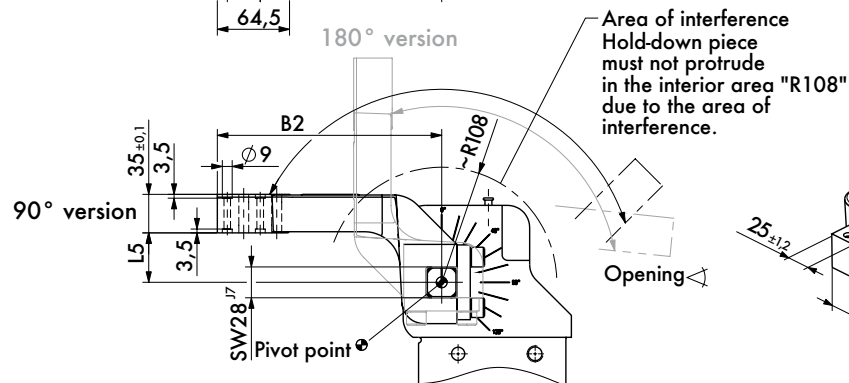
8JG-169-2-01
8UM801-45-204



180° version



For Size 80mm



Arm Model No.	Max. Opening 90° Version	Max. Opening 180° Version	Weight (kg)	B2	B11 ±0,1	B26	L5** ±0,2
8JG-169-2-01	135°	105°	3,5	179	140	129	20
8UM801-45-204*		135°	4,1	204	165	154	45

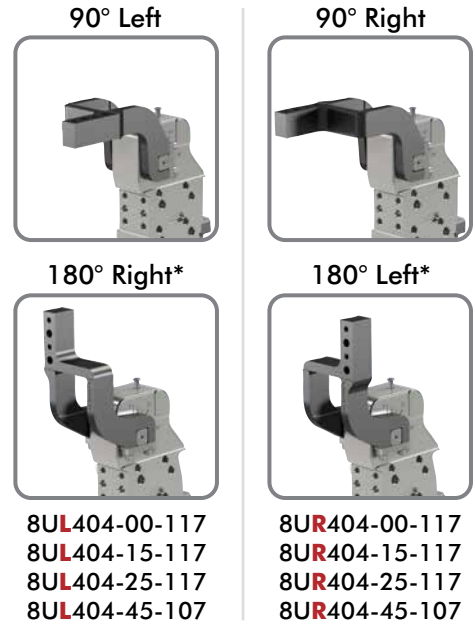
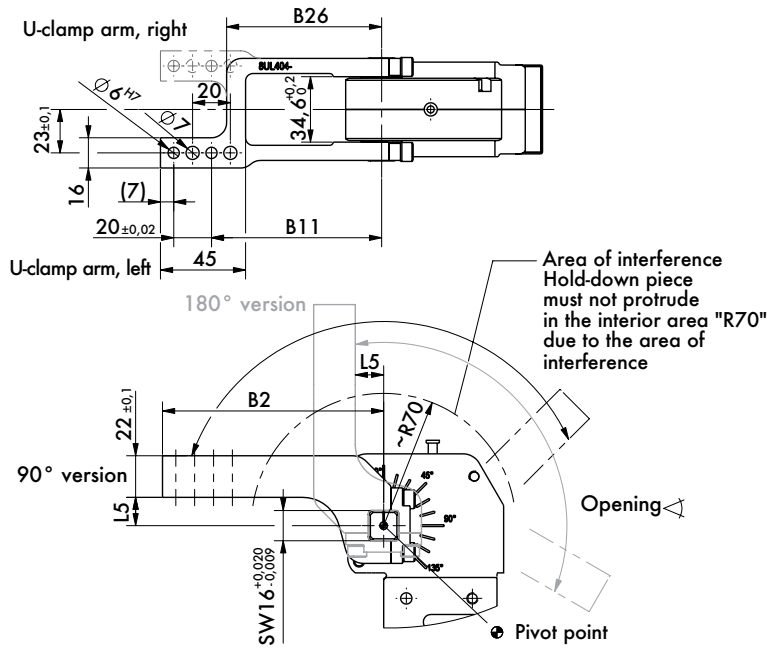
*only steel version available.

** Tolerance measured 80mm from pivot point.

U-ARMS OFFSET (ALUMINUM)

Enclosed Pneumatic Power Clamps | Heavy-Duty Modular | Dimensions and Technical Specifications

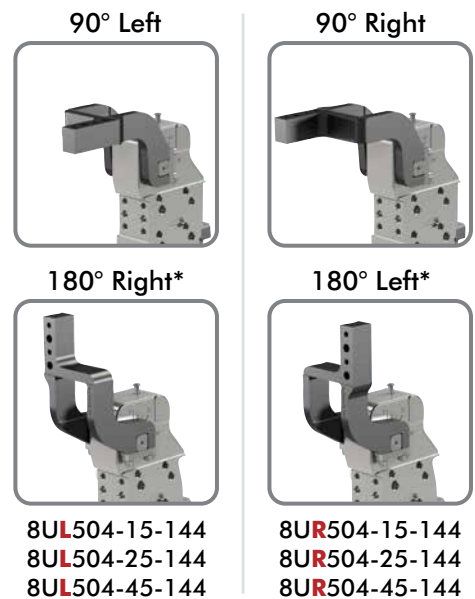
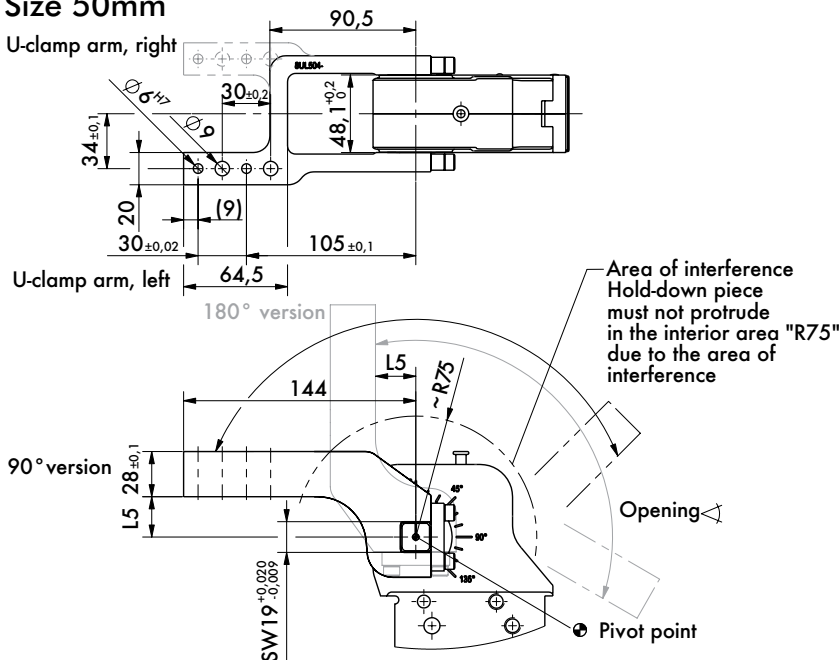
For Size 40mm



*90° left/180° right uses same clamp arm.
90° right/180° left uses same clamp arm.

Arm Model No.	Max. Opening 90° Version	Max. Opening 180° Version	Weight (kg)	B2	B11 ±0,1	B26	L5
8U(•)404-00-117		105°	0,23				0
8U(•)404-15-117	135°	120°	0,24	117	90	82	15
8U(•)404-25-117		135°	0,25				25
8U(•)404-45-107	130°		0,25	107	80	72	45

For Size 50mm

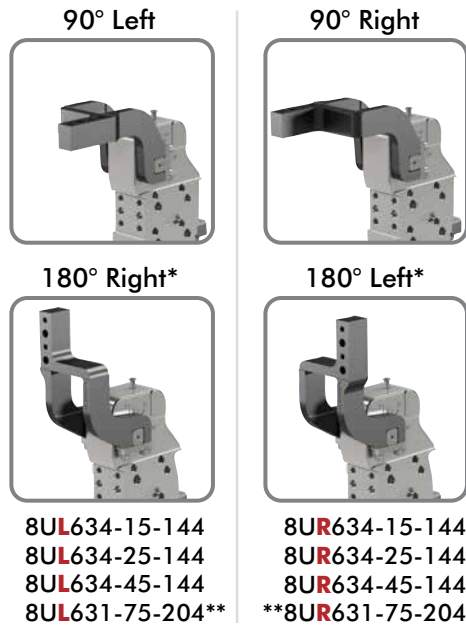


*90° left/180° right uses same clamp arm.
90° right/180° left uses same clamp arm.

Arm Model No.	Max. Opening 90° Version	Max. Opening 180° Version	Weight (kg)	L5
8U(•)504-15-144		105°	0,45	15
8U(•)504-25-144	135°	120°	0,46	25
8U(•)504-45-144		135°	0,49	45

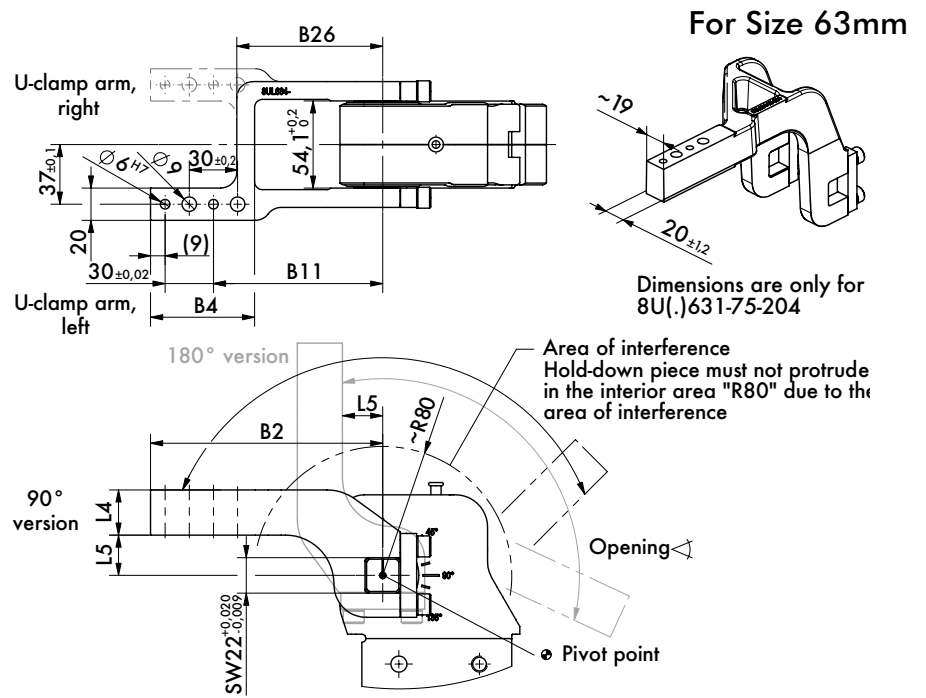
U-ARMS OFFSET (ALUMINUM)

Enclosed Pneumatic Power Clamps | Heavy-Duty Modular | Dimensions and Technical Specifications



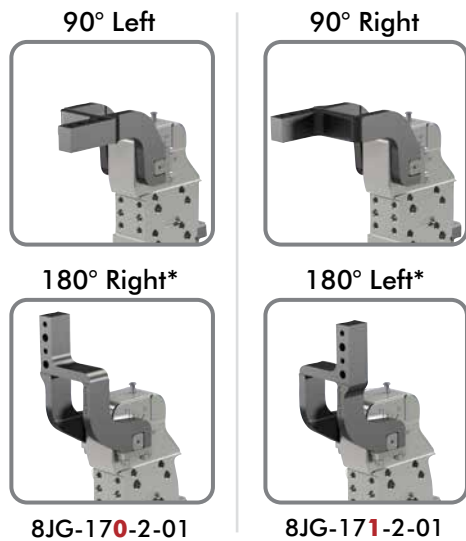
8UL634-15-144 **8UR634-15-144**
8UL634-25-144 **8UR634-25-144**
8UL634-45-144 **8UR634-45-144**
8UL631-75-204** ***8UR631-75-204**

*90° left/180° right uses same clamp arm.
90° right/180° left uses same clamp arm.

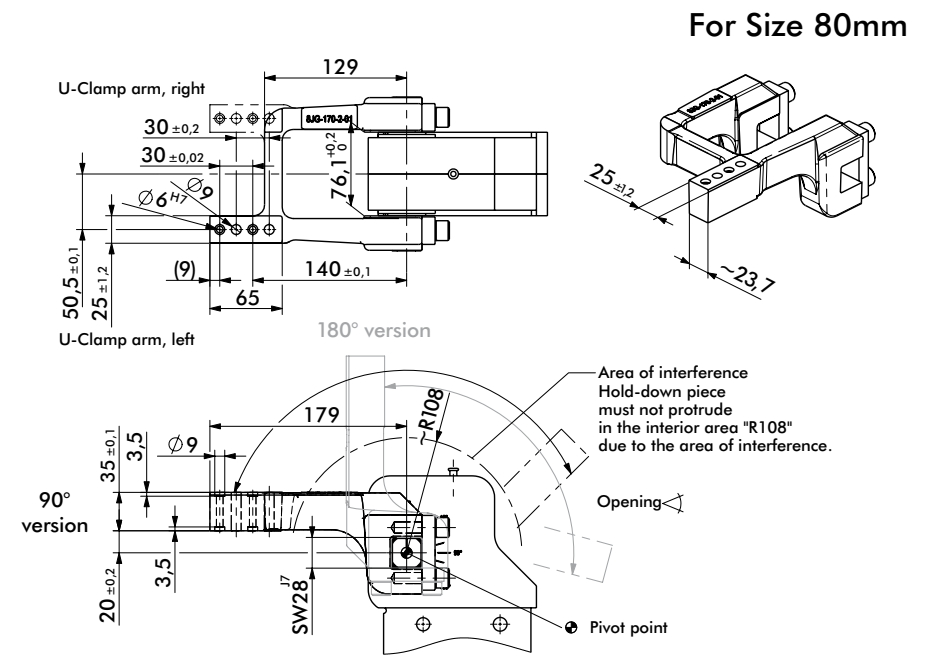


Arm Model No.	Max. Opening 90° Version	Max. Opening 180° Version	Weight (kg)	B2	B4	B11 ±0,1	B26	L4 ±0,1	L5
8U(.)634-15-144	135°	105°	0,52	144	64,5	105	90,5	28	15
8U(.)634-25-144		120°	0,54						
8U(.)634-45-144		135°	0,58						
8U(.)631-75-204**		135°	1,9						

** only steel version available.



8JG-170-2-01 **8JG-171-2-01**
 *90° left/180° right uses same clamp arm.
 90° right/180° left uses same clamp arm.



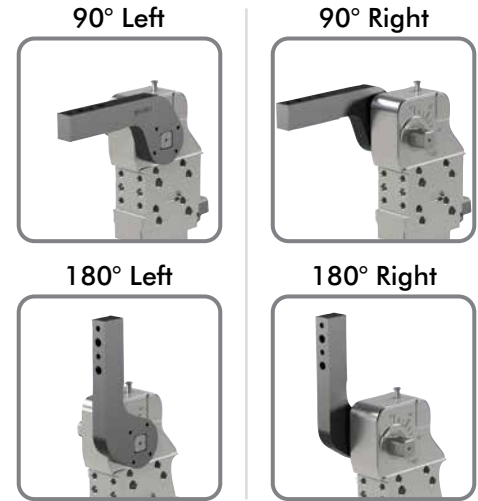
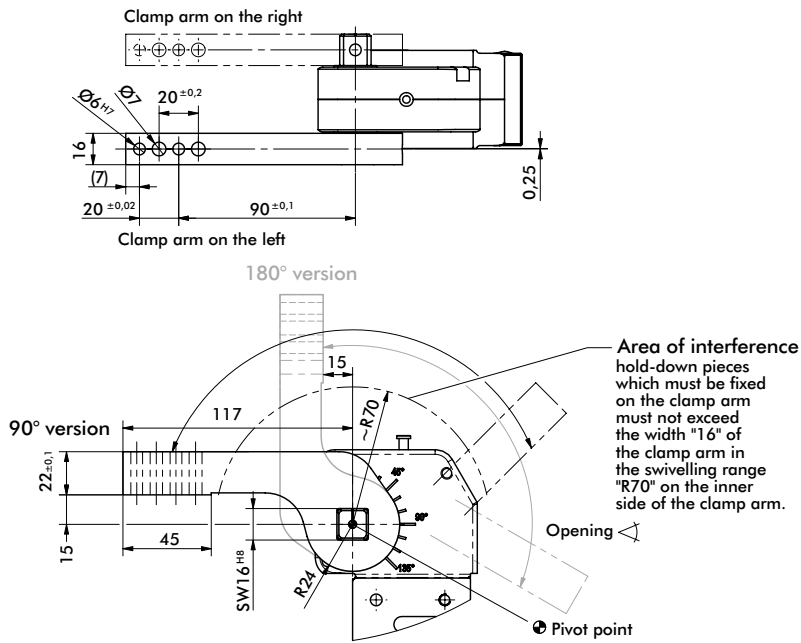
Arm Model No.	Max. Opening 90° Version	Max. Opening 180° Version	Weight (kg)
8JG-17(.)-2-01**	135°	105°	3,5

**only steel version available.

LATERAL (SIDE) ARMS

Enclosed Pneumatic Power Clamps | Heavy-Duty Modular | Dimensions and Technical Specifications

For Size 40mm

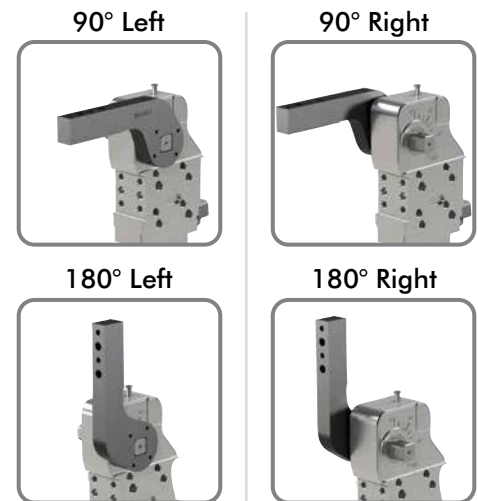
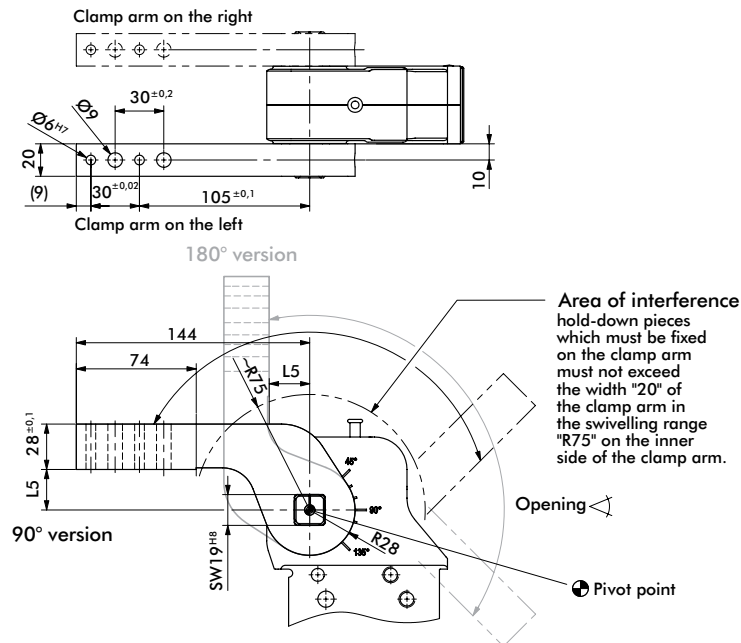


8S401-15-117

Arm Model No.	Max. Opening 90° Version	Max. Opening 180° Version	Weight (kg)
8S401-15-117	135°	120°	0,5

Models with 2 lateral clamp arms requires 2 clamp arm sets.

For Size 50mm



8JG-070-1-01
8S501-25-144

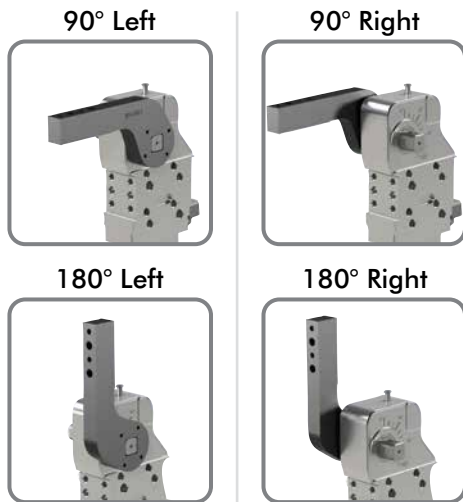
Arm Model No.	Max. Opening 90° Version	Max. Opening 180° Version	Weight (kg)	L5
8JG-070-1-01	135°	135°	0,9	15
8S501-25-144			1,0	25

Models with 2 lateral clamp arms requires 2 clamp arm sets.

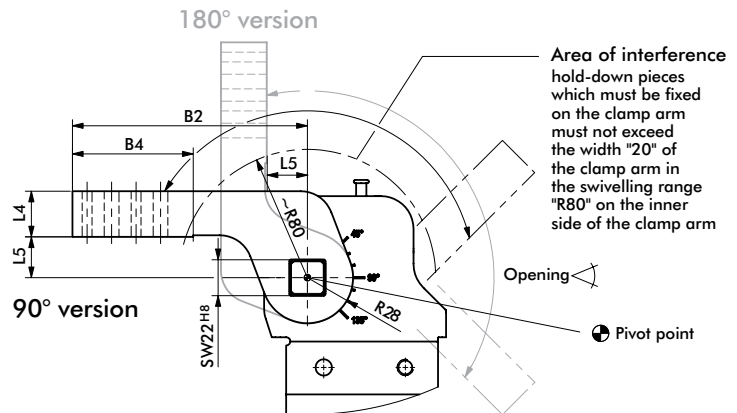
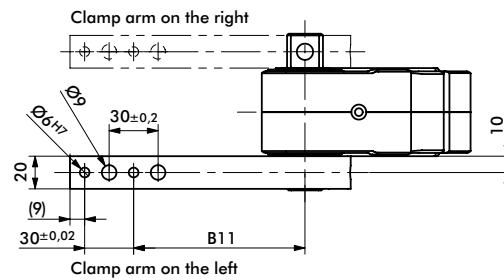
LATERAL (SIDE) ARMS

Enclosed Pneumatic Power Clamps | Heavy-Duty Modular | Dimensions and Technical Specifications

For Size 63mm



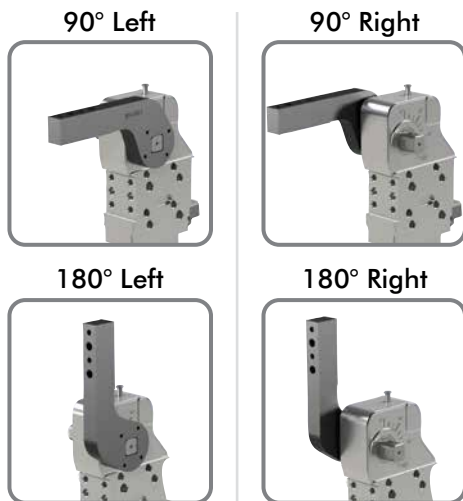
8JG-080-1-01
8S631-25-144
8S631-45-144
8S631-75-204



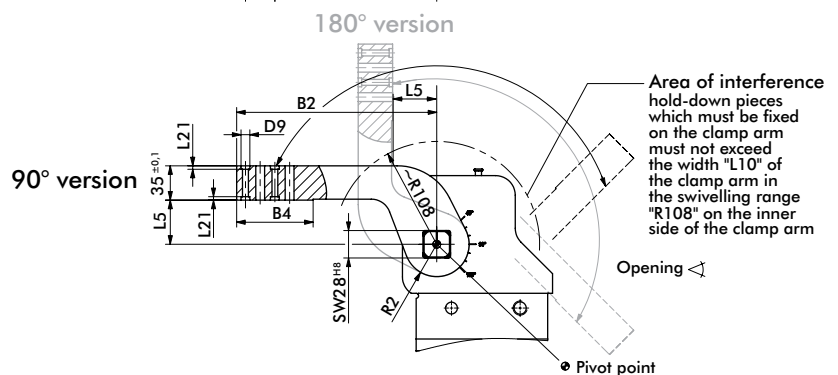
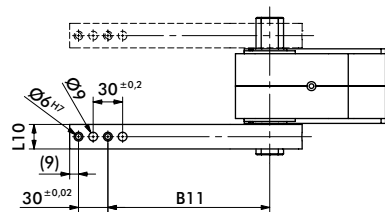
Arm Model No.	Max. Opening 90° Version	Max. Opening 180° Version	Weight (kg)	B2	B4	B11 ±0,1	L4 ±0,1	L5
8JG-080-1-01	135°	135°	0,9	144	74	105	28	15
8S631-25-144			1,0					25
8S631-45-144			1,1					45
8S631-75-204			1,5					75

Models with 2 lateral clamp arms requires 2 clamp arm sets.

For Size 80mm



8JG-1179-1-01
8S801-45-204



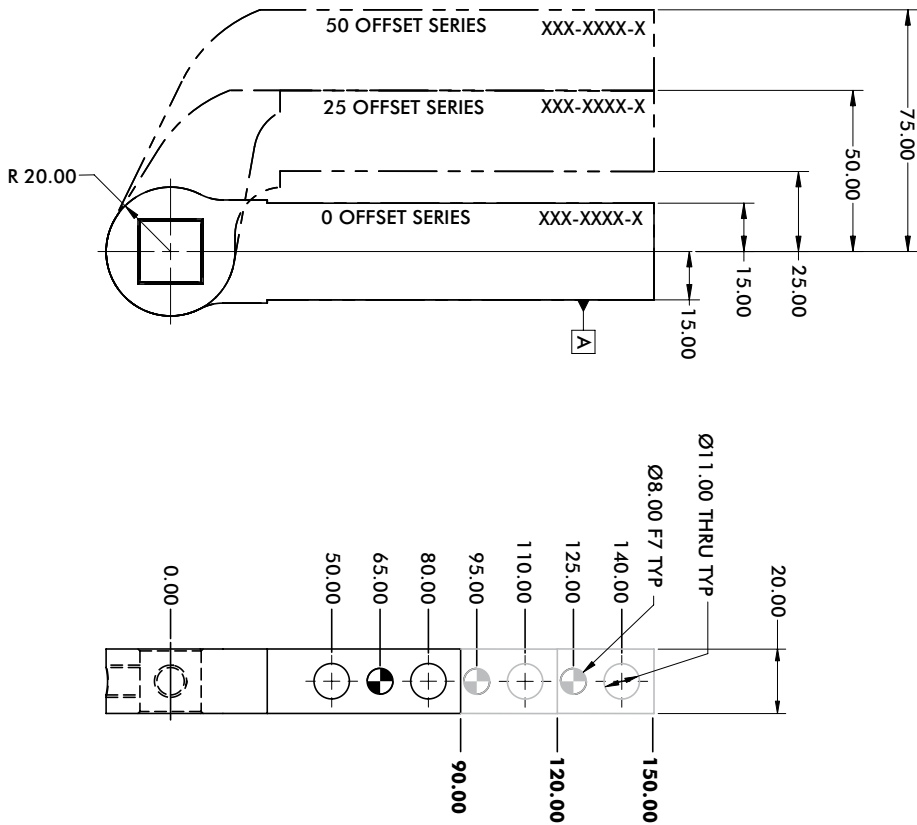
Arm Model No.	Max. Opening 90° Version	Max. Opening 180° Version	Weight (kg)	B2	B4	D9	B11 ±0,1	L5	L10	L21	R2
8JG-1179-1-01	135°	135°	2,1	179	74	-	140	20	30	-	35
8S801-45-204				204	78	9	165	45	25	3,5	33

Models with 2 lateral clamp arms requires 2 clamp arm sets.

LATERAL (SIDE) ARMS, NAAMS-STYLE

Enclosed Pneumatic Power Clamps | Heavy-Duty Modular | Dimensions and Technical Specifications

For Size 50mm



9mm Thru Hole (6.00 H7 Dowel)

90mm [3.54"] Arm Length			120mm [4.72"] Arm Length			150mm [5.90"] Arm Length		
Series	Arm Style	Model	Series	Arm Style	Model	Series	Arm Style	Model
50 Offset	▲ • 3256	B8JG-3256-1	50 Offset	▲ • 3257	B8JG-3257-1	50 Offset	▲ • 3258	B8JG-3258-1
25 Offset	▲ • 3246	B8JG-3246-1	25 Offset	▲ • 3247	B8JG-3247-1	25 Offset	▲ • 3248	B8JG-3248-1
0 Offset	▲ • 3236	B8JG-3236-1	0 Offset	▲ • 3237	B8JG-3237-1	0 Offset	▲ • 3238	B8JG-3238-1

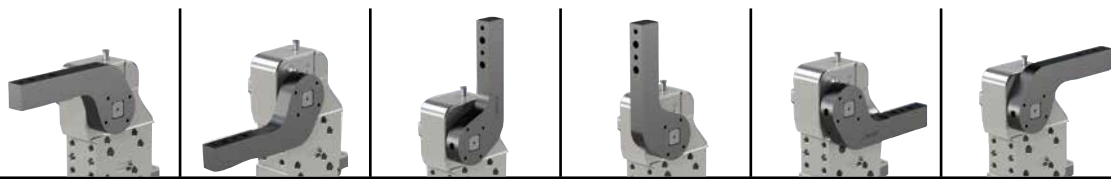
11mm Thru Hole (8.00 F7 Dowel)

90mm [3.54"] Arm Length			120mm [4.72"] Arm Length			150mm [5.90"] Arm Length		
Series	Arm Style	Model	Series	Arm Style	Model	Series	Arm Style	Model
50 Offset	▲ • 1226	B8JG-1226-1	50 Offset	▲ • 1227	B8JG-1227-1	50 Offset	▲ • 1228	B8JG-1228-1
25 Offset	▲ • 1216	B8JG-1216-1	25 Offset	▲ • 1217	B8JG-1217-1	25 Offset	▲ • 1218	B8JG-1218-1
0 Offset	▲ • 1206	B8JG-1206-1	0 Offset	▲ • 1207	B8JG-1207-1	0 Offset	▲ • 1208	B8JG-1208-1

▲ Common in North America

(•) STANDARD ARM OFFERING

Maximum Opening Angle (shown in locked position)

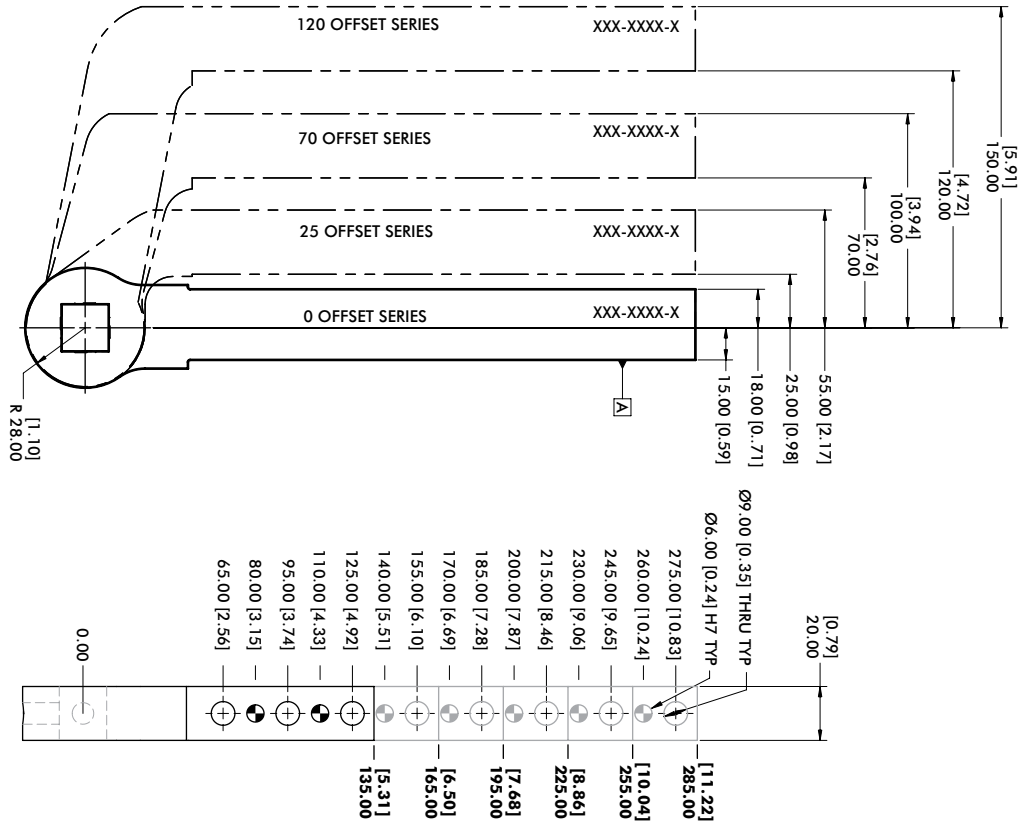


Arm Styles	1206-1208/3236-3238	1216-1218/3246-3248	1226-1228/3256-3258	1206-1207	1207-1208	1216-1217	1217-1218	1226-1227	1227-1228	1236-1237	1237-1238	1256-1257	1257-1258
1206-1208/3236-3238	135°	135°	125°	100°	100°	N/A	N/A	N/A	N/A	135°	135°	135°	135°
1216-1218/3246-3248	135°	N/A	125°	50°	125°	N/A	30°	N/A	N/A	135°	135°	135°	135°
1226-1228/3256-3258	125°	N/A	125°	35°	135°	N/A	50°	N/A	N/A	135°	135°	135°	135°

LATERAL (SIDE) ARMS, NAAMS-STYLE

Enclosed Pneumatic Power Clamps | Heavy-Duty Modular | Dimensions and Technical Specifications

For Size 63mm with 23 Clamp Arm Shaft Option



135mm [5.31"] Arm Length

Series	Arm Style	Model
120 Offset	▲ 1543	B8JG-1543-1
70 Offset	▲ 1531	B8JG-1531-1
25 Offset	▲ 1519	B8JG-1519-1
0 Offset	▲ 1507	B8JG-1507-1

165mm [6.50"] Arm Length

Series	Arm Style	Model
120 Offset	▲ 1544	B8JG-1544-1
70 Offset	▲ 1532	B8JG-1532-1
25 Offset	▲ 1520	B8JG-1520-1
0 Offset	▲ 1508	B8JG-1508-1

195mm [7.68"] Arm Length

Series	Arm Style	Model
120 Offset	▲ 1545	B8JG-1545-1
70 Offset	▲ 1533	B8JG-1533-1
25 Offset	▲ 1521	B8JG-1521-1
0 Offset	▲ 1509	B8JG-1509-1

225mm [8.86"] Arm Length

Series	Arm Style	Model
120 Offset	▲ 1546	B8JG-1546-1
70 Offset	▲ 1534	B8JG-1534-1
25 Offset	▲ 1522	B8JG-1522-1
0 Offset	▲ 1510	B8JG-1510-1

255mm [10.04"] Arm Length

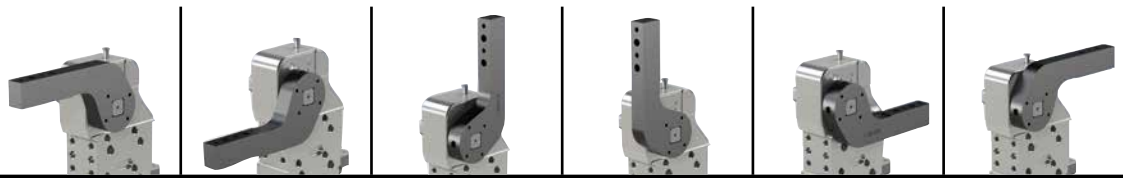
Series	Arm Style	Model
120 Offset	▲ 1547	B8JG-1547-1
70 Offset	▲ 1535	B8JG-1535-1
25 Offset	▲ 1523	B8JG-1523-1
0 Offset	▲ 1511	B8JG-1511-1

285mm [11.22"] Arm Length

Series	Arm Style	Model
120 Offset	▲ 1548	B8JG-1548-1
70 Offset	▲ 1536	B8JG-1536-1
25 Offset	▲ 1524	B8JG-1524-1
0 Offset	▲ 1512	B8JG-1512-1

▲ Common in North America

Maximum Opening Angle (shown in locked position)

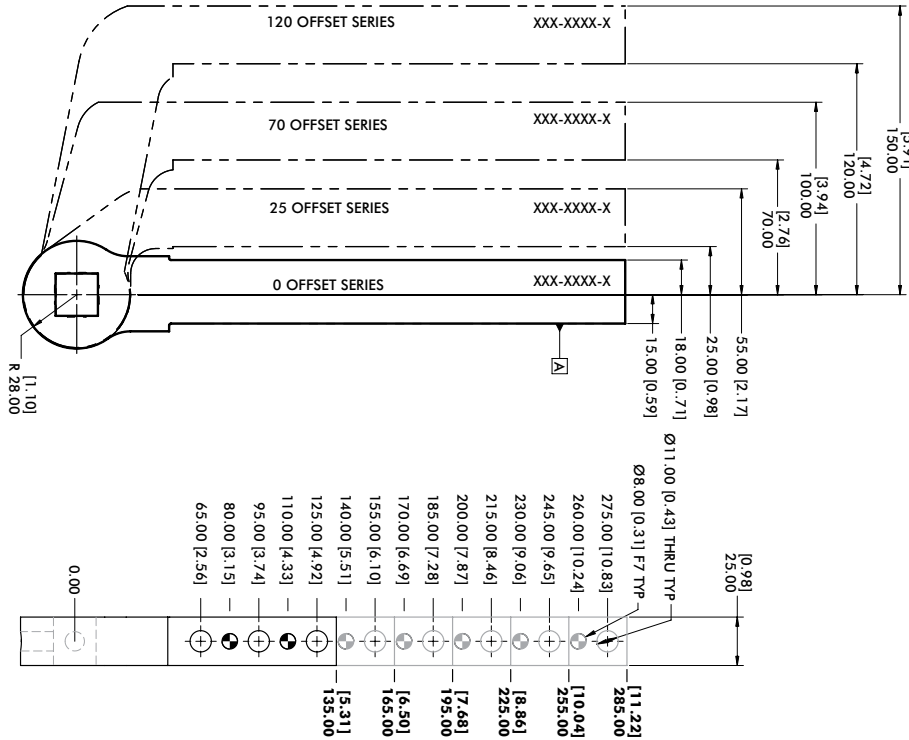


Arm Styles	1	2	3	4	5	6
1510-1512/1507-1509	135°	135°	100°	100°	N/A	N/A
1522-1524/1519-1521	135°	N/A	50°	130°	N/A	40°
1534-1536/1531-1533	115°	N/A	25°	135°	N/A	75°
1546-1548/1543-1545	110°	N/A	20°	135°	N/A	85°

LATERAL (SIDE) ARMS, NAAMS-STYLE

Enclosed Pneumatic Power Clamps | Heavy-Duty Modular | Dimensions and Technical Specifications

For Size 63mm with D0 Clamp Arm Shaft Option



135mm [5.31"] Arm Length

Series	Arm Style	Model
120 Offset	▲ • 1043	B8JG-1043-1
70 Offset	▲ • 1031	B8JG-1031-1
25 Offset	▲ • 1019	B8JG-1019-1
0 Offset	▲ • 1007	B8JG-1007-1

165mm [6.50"] Arm Length

Series	Arm Style	Model
120 Offset	▲ ⓘ 1044	B8JG-1044-1
70 Offset	▲ • 1032	B8JG-1032-1
25 Offset	▲ • 1020	B8JG-1020-1
0 Offset	▲ • 1008	B8JG-1008-1

195mm [7.68"] Arm Length

Series	Arm Style	Model
120 Offset	▲ ⓘ 1045	B8JG-1045-1
70 Offset	▲ • 1033	B8JG-1033-1
25 Offset	▲ ⓘ 1021	B8JG-1021-1
0 Offset	▲ • 1009	B8JG-1009-1

225mm [8.86"] Arm Length

Series	Arm Style	Model
120 Offset	▲ ⓘ 1046	B8JG-1046-1
70 Offset	▲ • 1034	B8JG-1034-1
25 Offset	▲ ⓘ 1022	B8JG-1022-1
0 Offset	▲ ⓘ 1010	B8JG-1010-1

255mm [10.04"] Arm Length

Series	Arm Style	Model
120 Offset	▲ ⓘ 1047	B8JG-1047-1
70 Offset	▲ • 1035	B8JG-1035-1
25 Offset	▲ ⓘ 1023	B8JG-1023-1
0 Offset	▲ ⓘ 1011	B8JG-1011-1

285mm [11.22"] Arm Length

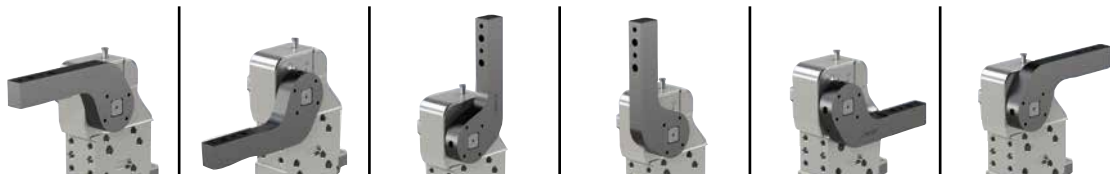
Series	Arm Style	Model
120 Offset	▲ ⓘ 1048	B8JG-1048-1
70 Offset	▲ ⓘ 1036	B8JG-1036-1
25 Offset	▲ ⓘ 1024	B8JG-1024-1
0 Offset	▲ ⓘ 1012	B8JG-1012-1

▲ Common in North America

(•) STANDARD ARM OFFERING

(ⓘ) NON-STANDARD ARM OFFERING (extended leadtimes apply)

Maximum Opening Angle (shown in locked position)

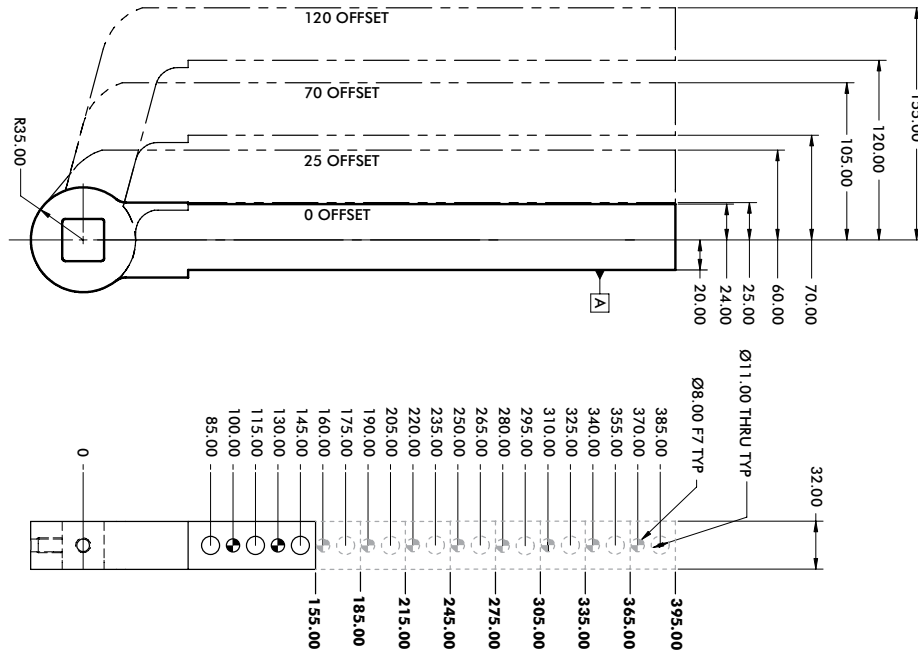


Arm Styles	1	2	3	4	5	6
1010-1012/1007-1009	135°	135°	100°	100°	N/A	N/A
1022-1024/1019-1021	135°	N/A	50°	130°	N/A	40°
1034-1036/1031-1033	115°	N/A	25°	135°	N/A	75°
1046-1048/1043-1045	110°	N/A	20°	135°	N/A	85°

LATERAL (SIDE) ARMS, NAAMS-STYLE

Enclosed Pneumatic Power Clamps | Heavy-Duty Modular | Dimensions and Technical Specifications

For Size 80mm



155mm [4.53"] Arm Length

Series	Arm Style	Model
120 Offset	▲ ⓘ 1170	B8JG-1170-1
70 Offset	▲ • 1150	B8JG-1150-1
25 Offset	▲ ⓘ 1130	B8JG-1130-1
0 Offset	▲ ⓘ 1110	B8JG-1110-1

185mm [7.28"] Arm Length

Series	Arm Style	Model
120 Offset	▲ ⓘ 1171	B8JG-1171-1
70 Offset	▲ ⓘ 1151	B8JG-1151-1
25 Offset	▲ ⓘ 1131	B8JG-1131-1
0 Offset	▲ ⓘ 1111	B8JG-1111-1

215mm [8.46"] Arm Length

Series	Arm Style	Model
120 Offset	▲ ⓘ 1172	B8JG-1172-1
70 Offset	▲ ⓘ 1152	B8JG-1152-1
25 Offset	▲ ⓘ 1132	B8JG-1132-1
0 Offset	▲ • 1112	B8JG-1112-1

245mm [9.65"] Arm Length

Series	Arm Style	Model
120 Offset	▲ ⓘ 1173	B8JG-1173-1
70 Offset	▲ ⓘ 1153	B8JG-1153-1
25 Offset	▲ ⓘ 1133	B8JG-1133-1
0 Offset	▲ ⓘ 1113	B8JG-1113-1

275mm [10.83"] Arm Length

Series	Arm Style	Model
120 Offset	▲ ⓘ 1174	B8JG-1174-1
70 Offset	▲ ⓘ 1154	B8JG-1154-1
25 Offset	▲ • 1134	B8JG-1134-1
0 Offset	▲ ⓘ 1114	B8JG-1114-1

305mm [12.00"] Arm Length

Series	Arm Style	Model
120 Offset	▲ ⓘ 1175	B8JG-1175-1
70 Offset	▲ • 1155	B8JG-1155-1
25 Offset	▲ ⓘ 1135	B8JG-1135-1
0 Offset	▲ ⓘ 1115	B8JG-1115-1

335mm [13.19"] Arm Length

Series	Arm Style	Model
120 Offset	▲ ⓘ 1176	B8JG-1176-1
70 Offset	▲ ⓘ 1156	B8JG-1156-1
25 Offset	▲ ⓘ 1136	B8JG-1136-1
0 Offset	▲ ⓘ 1116	B8JG-1116-1

365mm [14.37"] Arm Length

Series	Arm Style	Model
120 Offset	▲ ⓘ 1177	B8JG-1177-1
70 Offset	▲ ⓘ 1157	B8JG-1157-1
25 Offset	▲ ⓘ 1137	B8JG-1137-1
0 Offset	▲ ⓘ 1117	B8JG-1117-1

395mm [15.55"] Arm Length

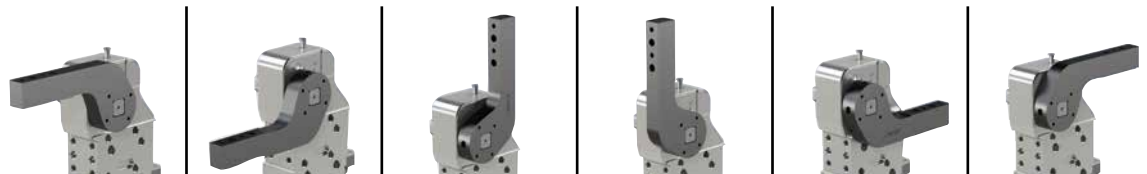
Series	Arm Style	Model
120 Offset	▲ ⓘ 1178	B8JG-1178-1
70 Offset	▲ • 1158	B8JG-1158-1
25 Offset	▲ ⓘ 1138	B8JG-1138-1
0 Offset	▲ • 1118	B8JG-1118-1

▲ Common in North America

(•) STANDARD ARM OFFERING

ⓘ NON-STANDARD ARM OFFERING (extended leadtimes apply)

Maximum Opening Angle (shown in locked position)



Arm Styles	1110 - 1118	1130 - 1138	1150 - 1158	1170 - 1178	1190 - 1198	1210 - 1218
1110 - 1118	135°	135°	100°	100°	N/A	N/A
1130 - 1138	135°	N/A	60°	120°	N/A	30°
1150 - 1158	125°	N/A	35°	135°	N/A	55°
1170 - 1178	115°	N/A	25°	135°	N/A	80°